



GB SERIES *PTO POWERED SPRAYERS*



OPERATION & SERVICE

MANUAL

DISTRIBUTED BY:
DAVIS & DAVIS DISTRIBUTORS
507 E. DINUBA AVE. REEDLEY, CA 93654 PH: (559) 638-6546 / FAX: (559) 638-9262
www.airofan.com

GENERAL INDEX

OPERATION / MAINTENANCE

Centrifugal Pump.....	10
Diaphragm Pump Operation & Service.....	9
D.K. Turning Hitch	8
Fan & Agitator Maintenance	7
Machine Settings	6
Operation.....	5
Pre-starting Checks.....	5
PTO Shaft & Driveline Maintenance	9
Safety.....	3, 4
Service & Lubrication	11
Trouble Shooting.....	6
Warranty.....	1
Winterizing	9

PARTS

2" Front Fill (Option).....	73
2" Fill 90° Check Valve (Option)	73
2-Point Turning Hitch	13
Agitator Assembly	54
Bondioli & Parvesi PTO Shaft	51
Comet Pump Model IDS 1400.....	34, 35, 36
Comet Pump Model IDS 2000.....	37, 38, 39
Comet Pump Model IDS 2200 (Option)..	40, 41, 42
Comet Pump Model APS 141.....	43, 44
Comet Pump Model APS 166 (Option).....	45, 46
Decals.....	74, 75, 76
Delivery Line Strainer Assembly.....	26
Driveline w/ Run Down Clutch Size 6/7 ...	50

Draw Bar Assembly D.K. Turning Hitch..	12
GB 34, GB 34R, GB 36, GB 36R	58
"Reverse" Fan w/ T.L. Bushing	
GB 2/32 Fans, Shaft & Bearing.....	58
GB 34N Upspray	71
GB 34R & GB 36R Fan Housing	59
GB 34R & GB 36R Fan Guards	62
GB 2/32 Fan Housing & Guard	60
GB 2/32 Inner Fan Guards	63
GB Front Hood	14
GB Shortstack Tower Plumbing.....	72
GB Shortstack Housing	72
GB Leaf Guard.....	73
Gearboxes.....	52, 53
Hub City M-55, BIMA M-55	
Gromo Hydraulic Valve.....	18
Manifolds & Vanes.....	66, 67
GB-34, GB 34R, GB 36, GB 36R, GB 2/32	
Metal Vane for Housing.....	61
Morse Controls	16
Myers Centrifugal Pump (Option)	33
Myers Pump Drive Assembly	47
NS Upspray Manifold	68
Notes	2, 76
Plumbing Tree Dual Gromo Valves	22-24
w/ IDS, APS, Myers Pumps	
Plumbing Tree Dual Kingston Valves ..	19-21
w/ IDS, APS, Myers Pumps	
Pressure Hoses.....	25
Pressure Regulator Assembly	27

continued on following page

GENERAL INDEX

continued from previous page

Spindle & Hub Assembly55, 56 Q888 STD.; 608200-8; Q821	Tire & Wheel Assembly57
Standard Upspray68, 70	Valve Assembly, Kingston.....17
Standard Upspray (Double Swing)69	Valve Assembly, Hydraulic Air-O-Fan18
Suction Filter Assembly28	Vane Assembly64, 65 GB-34, GB 34R, GB 36, GB 36R, GB 2/32
Suction Filter 29-32 w/ IDS, IDS 2000 & IDS 2200, APS 141 & Myers Pump	Weasler 55 Series PTO Shaft.....48
	Weasler Constant Velocity PTO Shaft.....49



WARRANTY



This **Air-O-Fan** PTO Drive Sprayer

Serial Number _____

is warranted, in so far as it is of **Air-O-Fan Products Corporation** manufacture, against defects in material and workmanship, under normal use and service, for a period of six months after date of purchase. The obligation under this warranty is limited to repairing or replacing, at the corporation's option without charge, F.O.B. factory, any part of **Air-O-Fan Products Corporation** manufacture which is proven to have been defective at the time it was shipped, provided immediate written notice is given **Air-O-Fan Products Corporation** upon discovery of such defect. The corporation shall have the option of requiring the return of the defective material, transportation prepaid, to establish the claim.

Air-O-Fan Products Corporation will not be responsible for labor charges, loss or damage as the result of any defective part. Nor will it

make an allowance for labor, transportation or other charges incurred in the replacement or repair of such part.

All purchased equipment manufactured by other manufacturers and incorporated into PTO Drive Sprayers by **Air-O-Fan Products Corporation**, including pumps, gearboxes, PTO shafts, drivelines, valves, fittings, accessories, etc., are warranted only to the extent of the original manufacturer's warranty.

The manufacturers of pumps, gearboxes, PTO shafts and accessories will not allow any bills for the service, labor or other expenses that have not been previously authorized by them. Parts discovered defective within original manufacturer's warranty must be submitted to an **Air-O-Fan Products Corporation** agent, charges prepaid, and agent in turn will submit a warranty claim and defective parts direct to **Air-O-Fan Products Corporation** for processing and credit from original manufacturer.

USE WARRANTY

Air-O-Fan Products Corporation makes no guarantee, warranty or other representation as to the effect of applying materials with this sprayer. The buyer agrees that the manufacturer shall not be responsible or liable for injuries to crop, soil, person or property arising out of the

use or handling of the sprayer, whether in accordance with the manufacturer's direction or not, or for damage to the sprayer by the use of corrosive or other materials, or operational conditions not controlled by manufacture, and accepts and uses the sprayer on these conditions.

*Please complete the enclosed warranty card and return it to
Air-O-Fan Products Corporation in order to validate this warranty.*

Warranty void if not registered.

NOTES

WARRANTY REGISTRATION

AIR-O-FAN PRODUCTS CORPORATION Sprayer Warranty Registration Form and Inspection Report

This form must be completed by the dealer and signed by both
the dealer and the customer at the time of the delivery.

CUSTOMER'S NAME _____

DEALER'S NAME _____

ADDRESS _____

ADDRESS _____

CITY, STATE _____

CITY, STATE _____

ZIP _____

ZIP _____

PHONE _____

PHONE _____

SERIAL NUMBER _____

DATE _____

DEALER INSPECTION REPORT

- | | |
|--|--|
| <input type="checkbox"/> All fittings and hoses free of leaks. | <input type="checkbox"/> Operate by-pass valve. |
| <input type="checkbox"/> All fasteners tight. | <input type="checkbox"/> Suction filter screen and gasket in place
and clamped tight. |
| <input type="checkbox"/> Fans rotate freely. | <input type="checkbox"/> Line filter cap and plug tight. |
| <input type="checkbox"/> Agitator rotates freely. | <input type="checkbox"/> PTO Shaft Safety Shields are in place |
| <input type="checkbox"/> Lubricate machine. | |
| <input type="checkbox"/> All nozzles spraying properly. | |

SAFETY

- Guards and shields installed. All decals installed. Review operating and safety instructions.

I have thoroughly instructed the buyer on the above described equipment.
The review included the Operator's Manual content, equipment care, adjustments,
safe operation and applicable warranty policy.

DATE _____

DEALER'S SIGNATURE _____

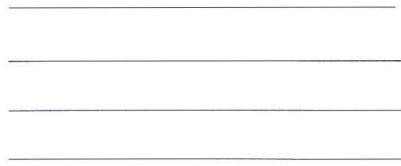
The above Equipment and Operator's Manual have been
received by me and I have been thoroughly instructed as to care, adjustments,
safe operation and applicable warranty policy.

DATE _____

OWNER'S SIGNATURE _____



TEAR OUT, FOLD AND MAIL



PLACE
FIRST-CLASS
POSTAGE
HERE

Air-O-Fan Products Corporation
507 E. Dinuba Ave.
Reedley, CA 93654

FOLD, SEAL AND MAIL

TEAR OUT, FOLD AND MAIL

SAFETY

Safety Alert Symbol



This Safety Alert symbol means:

**ATTENTION! BECOME ALERT!
YOUR SAFETY IS INVOLVED!**

The safety alert symbol identifies important safety messages on the Air-O-Fan PTO Drive Sprayer and in the manual. When you see this symbol, be alert to the possibility of personal injury or death. Follow the instructions in the safety message.

3 BIG REASONS WHY SAFETY IS IMPORTANT TO YOU!

1. *Accidents disable and kill!* 2. *Accidents cost!* 3. *Accidents can be avoided!*

SIGNAL WORDS:

Note the use of the signal words

Danger, Warning and Caution with the safety messages.

The appropriate signal word for each message has been selected using the following guidelines:

DANGER

An immediate and specific hazard which **WILL** result in severe personal injury or death if the proper precautions are not taken.



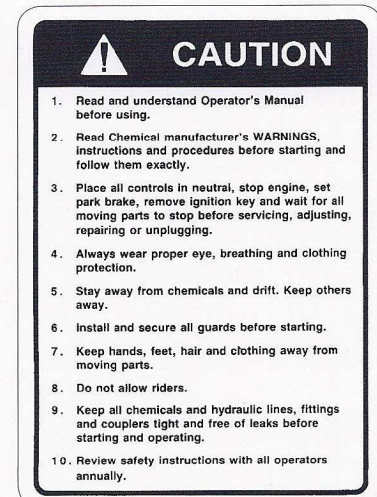
WARNING

A specific hazard or unsafe practice which **COULD** result in severe personal injury or death if proper precautions are not taken.



CAUTION

Unsafe practices which **COULD** result in personal injury if proper procedures are not taken, or as a reminder of good safety practices.



SAFETY (Continued)

**REMOVE CONTROLS
FROM TRACTOR
BEFORE UNHITCHING**

! DANGER




**ROTATING FAN HAZARD
KEEP AWAY**

To prevent serious injury or death from rotating fan:

1. Keep guards in place over fan intake and outlet when operating.
2. Place all controls in neutral, stop tractor engine, set park brake, remove ignition key and wait for all moving parts to stop before servicing, adjusting, repairing or unplugging.
3. Keep hands, feet, hair and clothing away from rotating fan.

! DANGER




TOXIC CHEMICAL HAZARD

WEAR RUBBER GLOVES WEAR APPROVED RESPIRATOR DON'T INGEST CHEMICAL

To prevent serious injury or death:

1. Do not allow chemical or solution to touch skin. Some can be absorbed through the skin.
2. Wear rubber gloves and protective gear at all times.
1. Stay away from chemical splash and vapor. Keep others away.
2. Wear proper respirator when working with chemicals.
1. Chemicals can be toxic.
2. If in eyes or mouth, read chemical manufacturers' instructions and follow exactly.
3. Seek medical attention immediately.
4. A poison control number is normally inside the front cover of your telephone book.

! DANGER



**ROTATING DRIVE LINE
DEATH CAN RESULT FROM ENTANGLEMENT
KEEP PEOPLE AND CLOTHING WELL CLEAR**

DO NOT OPERATE WITHOUT:

- DRIVE LINE GUARDS
- INPUT SHAFT GUARDS
- TRACTOR MASTER SHIELD
- U-JOINTS LOCKED TO TRACTOR AND IMPLEMENT SHAFTS

PRE-STARTING CHECKS

CAUTION: Before pre-starting checks are performed, make sure tractor is not running.

1. Check pump oil level on diaphragm pump model daily. Oil should be clean and not discolored.
NOTE: Refer to pump section of this manual for additional information.
2. Check gearbox oil level daily. Check main housing sight gauge and extension housing sight gauge.
3. Grease front agitator bushing and rear agitator gland 1-2 times daily, depending on usage. Inspect bushing and gland for leaks. Inspect agitator belt and idler pulley.
4. Inspect PTO shaft shields. Make sure shielding is properly installed onto the PTO shaft.
5. Inspect PTO shaft tubing length. Make sure there is 6-8 inches of travel.
6. Grease PTO shaft daily.
NOTE: Refer to PTO section in this manual for additional information.
7. Grease front input shaft bearings on centrifugal pump model daily. Rotate shaft to completely fill bearing housing with grease. Grease should purge onto the input shaft when properly greased.

8. Check pump belt on centrifugal pump model sprayers. Make sure belt and pulley guard are in place.
9. Grease center bearing between fans on GB-2/32 model. Rotate shaft to completely fill bearing housing with grease. Grease should purge onto fan shaft when properly greased.
10. Clean the suction filter screen. Make sure suction filter gasket is installed properly and check for leaks. Close the shut-off valve located before the filter to avoid chemical loss while inspecting the suction filter screen and gasket.
NOTE: Make sure the shut-off valve is re-opened before operation.
11. Clean delivery line strainer screens daily.
12. Grease swivel hitch on 2-Point turning hitch models daily. Grease hitch bearing and dirt shields daily.
13. Grease turning hitch bearing and dirt shields on Air-O-Fan turning hitch model sprayers daily.

OPERATION

1. Perform all pre-starting checks outlined in the previous section of this manual.

CAUTION: TRACTOR MUST NOT BE RUNNING WHILE SHIFTING GEARBOX LEVER!

2. Make sure shifting lever of the gearbox is in low or high gear. To shift lever, rotate the driveline by hand until the shift lever clicks into desired position. Rotate the bottom of the lever towards the tank for high, away from the tank for low.

NOTE: To avoid damage and possible injury, never shift the gearbox lever while tractor is running and PTO is engaged.

3. Adjust the nozzle vanes in the fan housing to maximize performance and reduce over spray and chemical waste.
4. Start filling the sprayer's supply tank with water. After supply tank becomes half full of water, engage PTO of tractor at idle speed. With centrifugal

pump model sprayers, bleed air from pump to prime. Once the pump is primed and bypass valve open, add chemical to the tank mixing screen. For certain powder chemicals you may want to increase your RPM for greater agitation. Close bypass valve and supply tank lid and latch after mixing and filling of supply tank are finished. Always wear proper safety equipment to protect against exposure. Comply with your county and state regulations at all times.

NOTE: Avoid running centrifugal pump model sprayers without water or priming. Damage to the pump seal will accrue if pump is dry while operating.

5. Increase the RPM to desired speed, not to exceed 540. Maximum performance of the sprayer is designed to operate at 540 PTO speed.
6. Open delivery valves and set pump pressure.
7. Make sure nozzles are not plugged and vanes are adjusted properly.

MACHINE SETTINGS

1. CHEMICAL DELIVERY

To open delivery valves, pull left and right control levers to the open position (toward the sprayer). The delivery valve in the open position will allow fluid to travel under pressure to the spray manifold located on the fan housing. Fluid continues under pressure through the adjustable vane and out the spray nozzles.

NOTE 1: Chemical calibrations may vary due to plugged or worn nozzles. Inspect all nozzles in the open position to insure spray pattern is not deformed.

NOTE 2: Chemical pressure may vary due to a suction leak, belt slippage or variations of engine RPM's. Keep the bypass return valve in the closed position. Keep suction and discharge filter screens clean and make sure gaskets are replaced if necessary.

2. ADJUSTABLE VANE SETTING

Adjustable vanes, located in the fan housing, are designed to allow the operator to fine tune the air and chemical discharge to assure the best possible coverage in varying tree heights and configurations. To adjust, simply push up or down to desired location.

NOTE: Do not apply maximum force when adjusting the vane. If vane is tight, loosen the vane bolt in the housing.

TROUBLESHOOTING

If you have a problem or question not covered in this section, please call your Air-O-Fan Dealer. Before you call, please have this operator's manual and the serial number from your machine ready for reference.

No Spray Solution Comes Through the Nozzles.

Possible Cause: Tank is empty, suction valve is closed. Suction strainer is plugged. Delivery strainers are plugged. Pump drive belt is slipping (centrifugal pump models). Pump has not primed (centrifugal pump models).

Insufficient Spray Solution From Nozzles.

Possible Cause: Bypass valve is open. Strainers are plugged. Plumbing is plugged. Suction filter gasket leaking. Nozzles are plugged.

Pressure Drops Rapidly When Valves are Open.

Possible Cause: Pump belt slips. Collapsed suction line between the suction strainer and pump. Nozzle calibration exceeds pump volume.

Vibration Coming From Rear of Sprayer.

Possible Solution: Clean fan. Check PTO shaft u-joints and clutch for grease and wear. Check driveline u-joints and run down clutch for grease and wear. Check fan shaft bearing for grease and wear (Twin fan model).

Agitator Leaks.

Possible Solution: Tighten packing sleeve nuts on rear of packing gland. Check shaft for wear. Replace seal kit.



FAN & AGITATOR MAINTENANCE

The fan(s) must be kept clean to prevent damage to the sprayer.

- A. **Clean fan daily!** Keep fan(s) clean of chemical buildup and dirt.
- B. **Clean the fan guard daily.** Leaves and other debris will cause a reduction in the sprayer's performance.
- C. **Clean adjustable directional vanes daily.** Dirt and chemical buildup on the adjustable vane will decrease the performance and the air pattern of the sprayer.
- D. **If vibration occurs, shut down sprayer.** Inspect fan blades and hub for dirt and chemical buildup. Clean fan(s). If vibration continues, contact your Air-O-Fan dealer for service.

NOTE: A dirty or worn fan can cause vibration. Worn bearings or improper service of the gearbox, drive shaft U-joints and PTO shaft U-joints may also contribute to vibration. Sustained periods of vibration can cause serious damage to the sprayer.

If cleaning and proper service does not remedy the vibration, contact your Air-O-Fan dealer immediately for service.

- E. The fan is installed on the power shaft of the gearbox with a tapered bushing from the factory. If the fan moves on the shaft, discontinue use of the sprayer and contact your Air-O-Fan dealer immediately.

NOTE: Replacing the fan or bushing on the shaft is warranted only when installed by a trained, authorized Air-O-Fan dealer.

Grease front agitator bushing and rear packing gland twice daily.

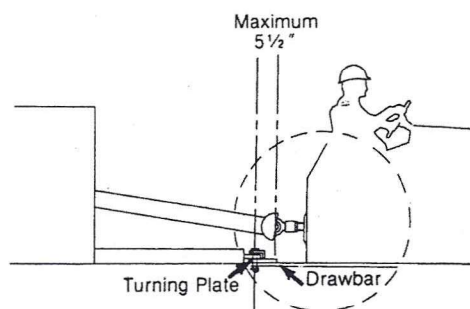
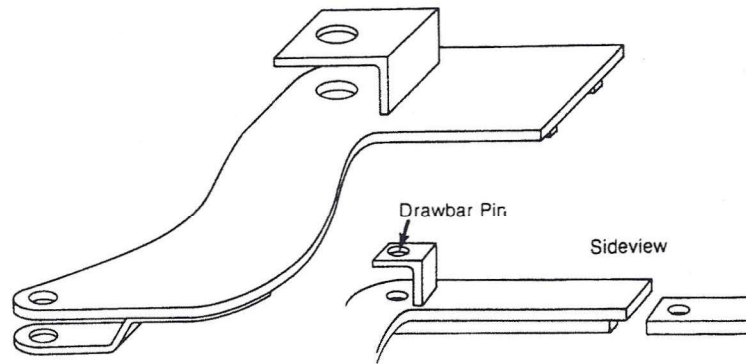
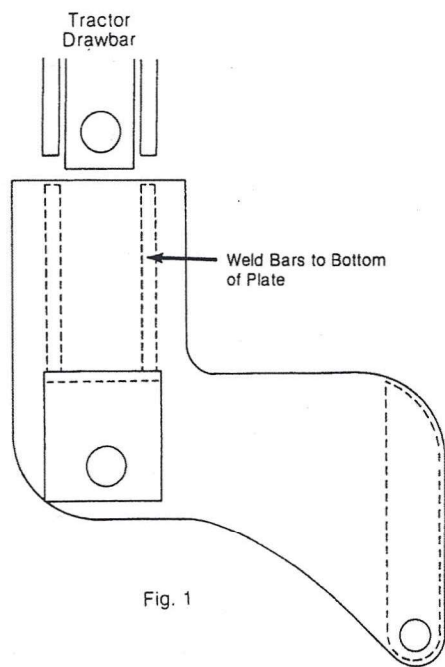
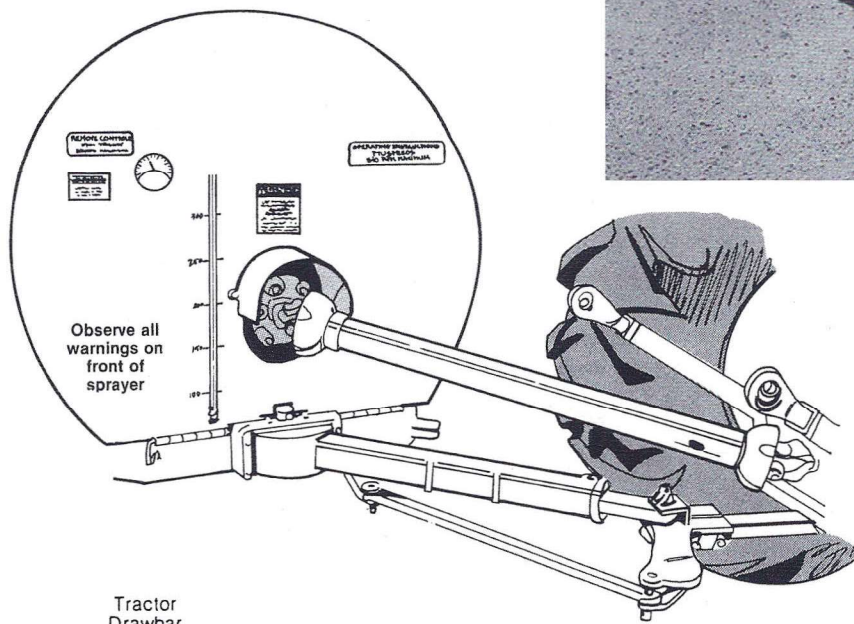
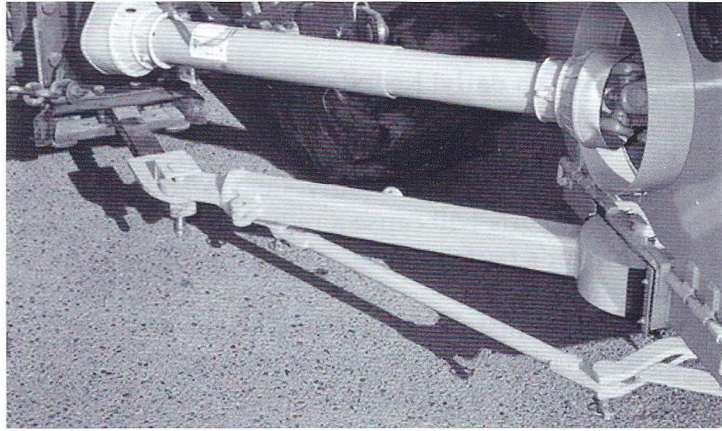
- A. Grease front brass bushing twice daily.
- B. Grease rear packing gland and stuffing box twice daily.
- C. Inspect agitator belt and idler pulley.

GB2/32 FAN SHAFT BEARING LUBRICATION INSTRUCTIONS

The Type E roller bearing on the rear fan shaft between the two fans should be greased daily. Rotate shaft while you grease the bearing, pump slowly until grease purges from the bearing.



D.K. TURNING HITCH



NOTE: When installing turning hitch plate for the first time, the drawing in Fig. 1 will explain itself. For further security of the hitch plate to the drawbar, drill a 5/8" hole in the plate just ahead of the drawbar pin hole, secure plate to the drawbar with a 5/8" bolt. This will hold the plate to the drawbar during travel over rough terrain.

DIAPHRAGM PUMP OPERATION & SERVICE

Comet High Pressure Diaphragm Pumps are standard equipment on all GB model sprayers. The diaphragm pump can be used in both concentrate and dilute applications. A regulator assembly controls the pump operating pressure for a variety of calibrations. The increase of pump pressure by adjusting the regulator will compensate for lower RPM settings. **ALWAYS** keep suction filter screen clean, which is located before the pump. Inspect lid gasket and tighten clamp with tee handle before pump operation. Always make sure the clean-out valve before the filter is in the open position before pump operation.

Pump and regulator service should be performed every 500 hours or annually. Oil change, diaphragm and check valve inspection, oil seal inspection and regulator seat and valve inspection should be performed. Drain pump case of oil. Fill with SAE 30 wt. motor oil. Rotate pump shaft by hand to eliminate air in the crankcase. Fill oil bowls for visual inspection. Always flush pump with clean water after operating. Some chemicals left in the pump can cause a reaction to the diaphragm material.

WINTERIZING

1. Rinse supply tank with clean water and empty tank completely. (Sprayer supply tank should be dry until used again)
2. Remove suction filter screens and delivery line strainer screens to totally drain water from plumbing.
3. Disconnect pressure line hoses on plumbing tree and rear spray manifolds.
4. Tilt adjustable vanes in fan housing downward with nozzle valves open.
5. Clean tank air vent.
6. Open pet cock on pump housing. (centrifugal pump models)
7. Store in dry environment.
8. Severe weather areas may require additional attention. (consult your dealer in your area)

PTO SHAFT & DRIVELINE MAINTENANCE

Caution: To avoid possible injury, inspect and service PTO shaft and driveline only when tractor is not running.

Grease PTO shaft daily.

Always keep PTO shaft clean and properly greased.

Inspect safety shields daily.

- A. Always clean grease fittings before applying grease.
- B. Always allow 6-7 inches of tubing travel to prevent damage to sprayer.

C. Always keep PTO shaft tubing clean and greased.

ALWAYS ENGAGE YOUR TRACTOR PTO AT IDLE SPEED TO PREVENT DAMAGE TO THE SPRAYER.

- D. **For sprayer models with a 2-point turning hitch and constant velocity PTO shaft,** special attention should be given when servicing the CV head portion of the shaft. A grease fitting is located at the CV head. Rotate shielding to locate grease fitting.

NOTE: The CV Joint half of the PTO shaft should be connected to the sprayer (for 2-point turning hitch option only).

Grease driveline U-joints and run-down clutch daily.

- A. Always clean grease fittings before applying grease.
- B. Grease front and rear driveline U-joints daily.
- C. Grease run-down clutch daily.

The driveline has a run-down clutch located on the front half of the driveline. Its purpose is to allow the fan(s) to freewheel when the PTO of the tractor is disengaged.

NOTE: Service of the driveline tubes should be performed annually. Clean and grease tubing. Driveline service can only be performed by removing the driveline from the sprayer.

CENTRIFUGAL PUMP SERVICE

MECHANICAL SEAL LUBRICATION

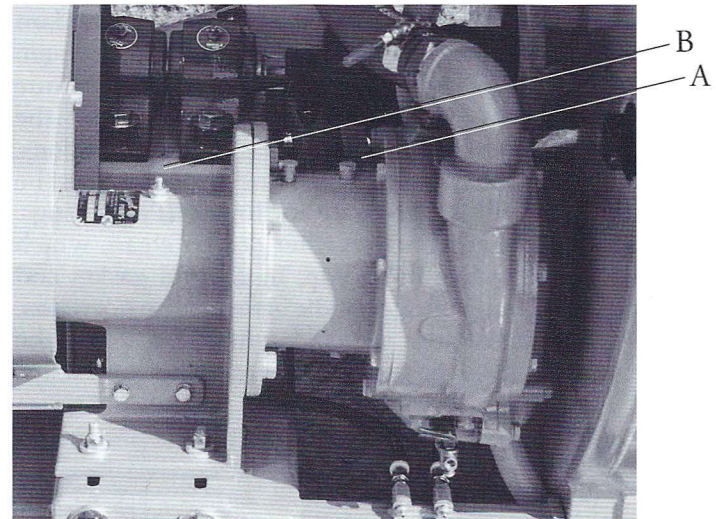
The pump is provided with an oil chamber which lubricates the seal face of the mechanical seal. The oil level should be checked every 40 hours. Fill cavity through the oil cup with SAE30 oil (A).

BEARING LUBRICATION

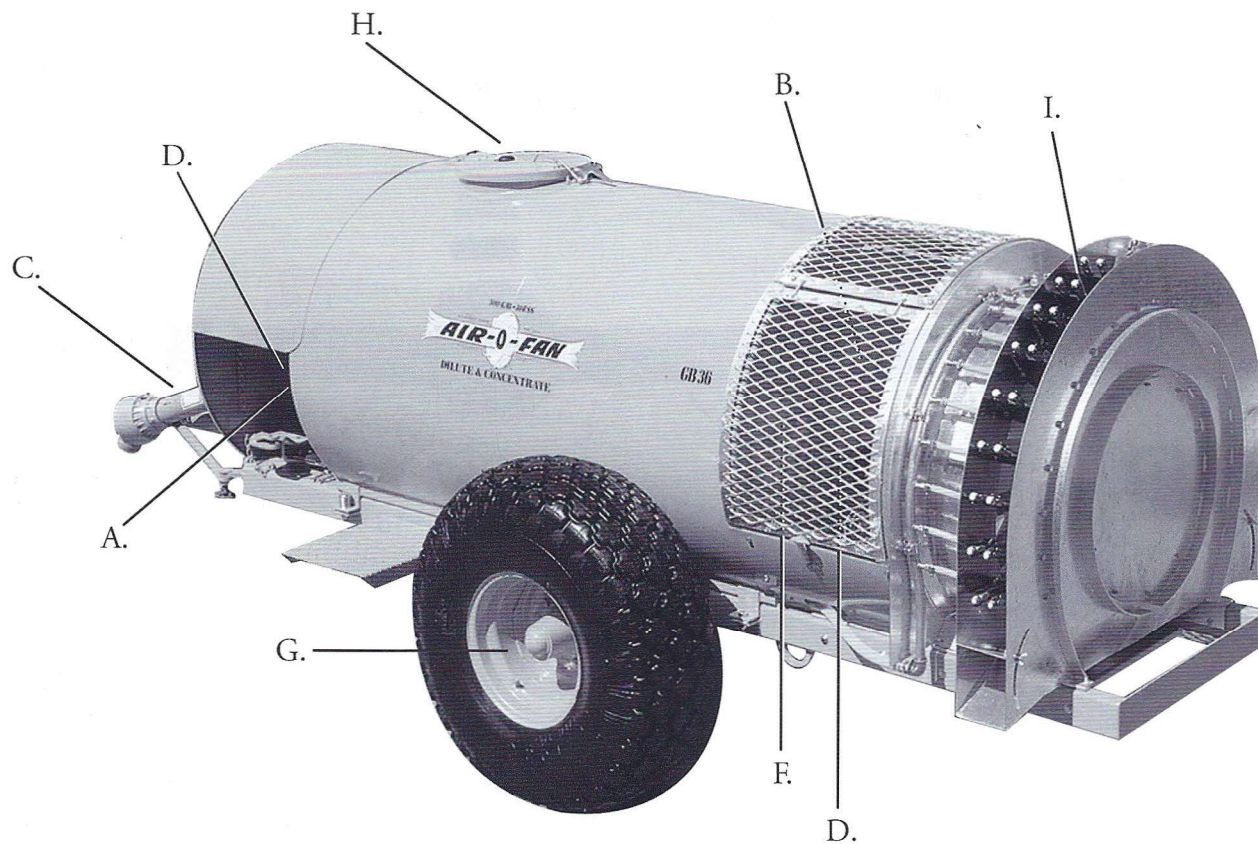
Grease bearing bracket cavity through plug at top of bracket (B). Remove pipe plug and fill no more than half full. Dolium R or equivalent grease must be used.

FREEZING

Care should be taken to prevent pump from freezing during cold weather. Three individual chambers must be drained. These chambers include the suction (seal bracket) and the first and second stage impeller chambers.



SERVICE LUBRICATION POINTS



RECOMMENDED DAILY SERVICE

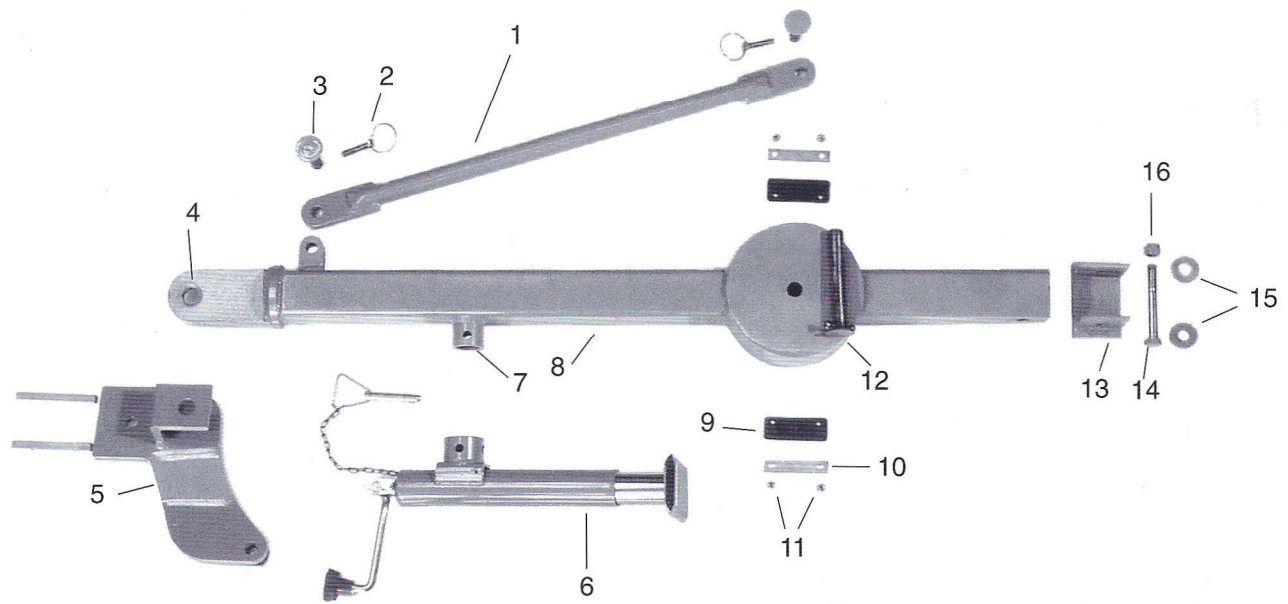
- A. Check oil in pump / maintain at level (Diaphragm Pump)
Check pump belt / grease input shaft bearings (Centrifugal Pump)
- B. Check oil in gearbox / main housing and extension housing
- C. Grease PTO shaft / tubing / CV Head / inspect shielding
- D. Grease agitator front brushing & rear gland assembly
- E. (not shown)
Grease fan shaft bearing (GB2/32 Model)

ADDITIONAL SERVICE REQUIREMENTS

- F. Grease drive shaft U-Joints front & rear / grease run-down clutch every 40 hours / grease fan shaft bearing (GB2/32 Model)
- G. Remove / clean / repack / wheel bearings and seal annually
- H. Inspect / clean tank vent as needed
- I. Clean / adjustable vanes / fan housing as needed
 - Flush tank / plumbing / vanes / nozzles with clean water after every use
 - Drain tank completely after use
 - Change pump oil / gearbox oil annually
 - Inspect / clean / replace nozzles when needed / check for uniformity / wear / broken / plugged nozzles

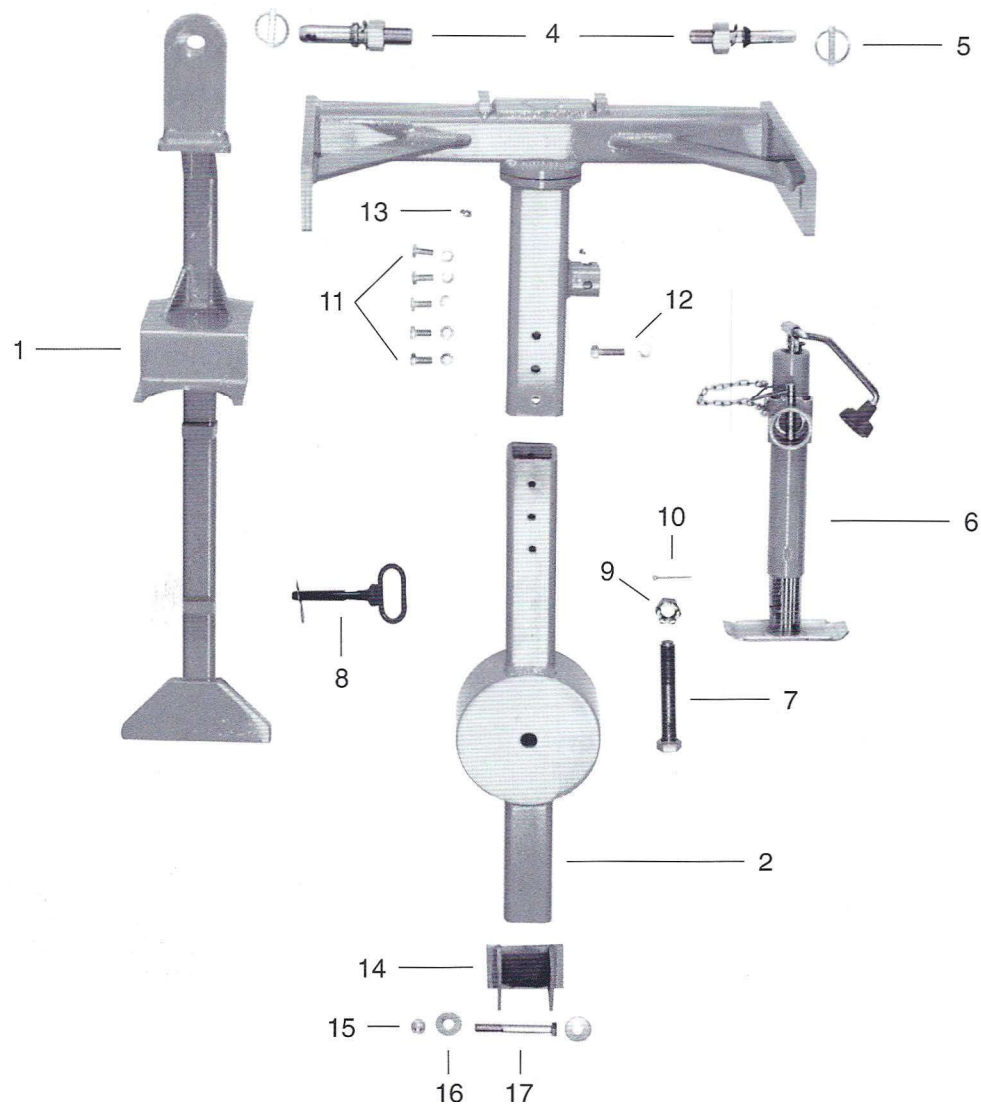
Pump Oil: 30W Motor Oil **Gearbox Oil:** 85/140 Multi Grade **Recommended Grease:** Lithium Base

DRAW BAR ASSEMBLY "DK TURNING HITCH"



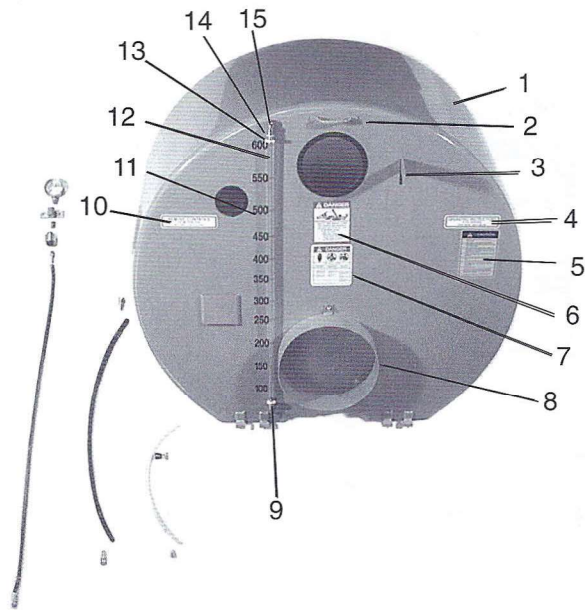
ITEM #	PART #	DESCRIPTION	QTY	ITEM #	PART #	DESCRIPTION	QTY
1	5000	RADIUS ROD	1	9	5008	DRAW BAR WIPER	2
2	5002	LYNCH PIN	2	10	5009	WIPER HOLD DOWN	2
3	5001	RADIUS ROD PIN	2	11	2204	1/4" NYLON LOCK NUT	4
4	212A	WELD ON HITCH LIP	1	12	5004	DRAW BAR PIN	1
5	3000	TURNING PLATE	1	13	4999	DRAW BAR SHOE	1
6	5046A	JACK ASSEMBLY	1	14	2345	BOLT 5/8" X 5"	1
7	5046B	JACK MOUNTING NIPPLE (weld-on)	1	15	2330	FLAT WASHER 5/8"	2
8	5003	DRAW BAR ASSEMBLY	1	16	2333	NUT NYLOCK 5/8"	1

2-POINT TURNING HITCH



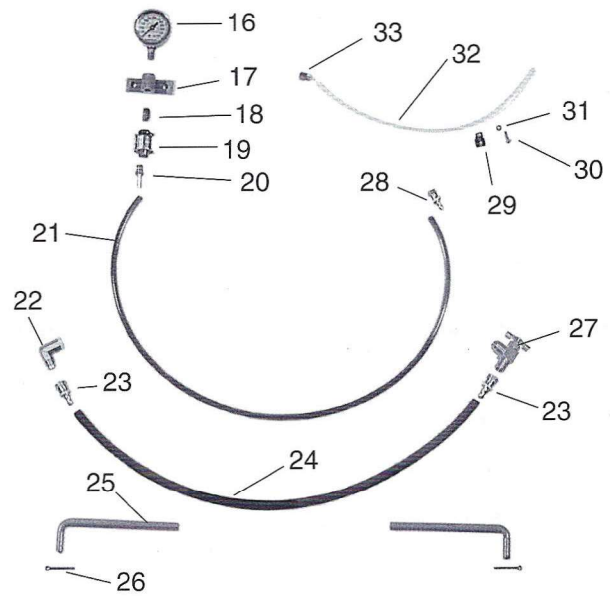
ITEM #	PART #	DESCRIPTION	QTY	ITEM #	PART #	DESCRIPTION	QTY
1	6597	TOW BAR	1	10	5879	SPLIT PIN	1
2	6498	DRAWBAR	1	11	2296	BOLT	5
3	6499	2-PT. PIVOT	1	12	2344	BOLT	1
4	6503	PIN	2	13	7735	GREASE ZERK	1
5	5004	CLICK PIN	2	14	4999	BRACKET	1
6	5046A	JACK	1	15	2333	NUT	1
7	2365	BOLT	1	16	2330	WASHER	2
8	6504	PIN / CLIP	1	17	2345	BOLT	1
9	5894	NUT	1				

GB FRONT HOOD

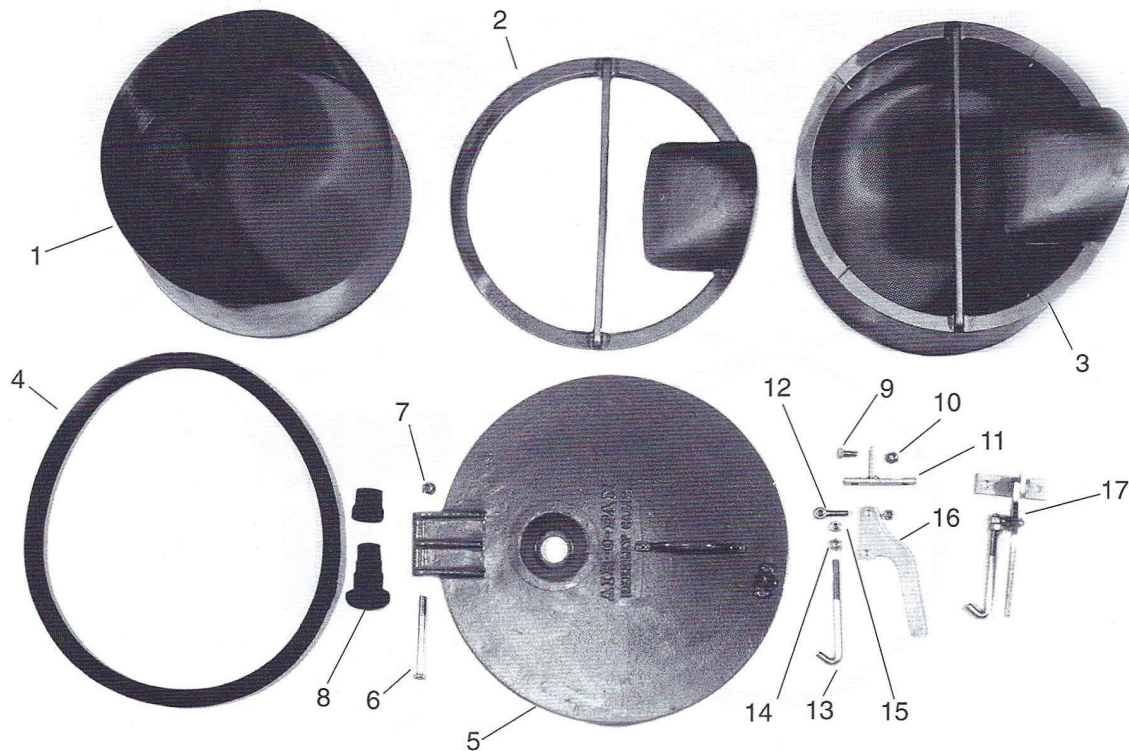


ITEM #	PART #	DESCRIPTION	QTY
1	5015	FRONT HOOD	1
2	7054	GRAB HANDLE (weld-on)	1
3	5021	HOOD RELEASE LEVER	1
4	6048	DECAL, OPERATING INSTRUCTIONS	1
5	6062	DECAL, CAUTION READ OPERATORS MANUAL	1
6	6036	DECAL, CAUTION ROTATING DRIVELINE	1
7	6054	DECAL, DANGER TOXIC CHEMICALS	1
8	5018	CLUTCH GUARD	1
9	5032	SIGHT TUBE ELBOW (149F6-4)	1
10	6049	DECAL, REMOVE CONTROLS	1
11	6058 - 6059 - 6068	DECAL, CALIBRATION Specify Gallonage	1
12	5034	SIGHT TUBE 3/8" ID Specify Length	1
13	2479	SIGHT TUBE CLAMP	2
14	5033	HOSE FITTING (30882-6-6B)	2
15	6308	SIGHT TUBE ELBOW (149F6-2)	1

ITEM #	PART #	DESCRIPTION	QTY
16	5041	PRESSURE GAUGE 600 PSI	1
17	5039	GAUGE BRACKET	1
18	6304	NIPPLE, BRASS 1/4" X CL.	1
19	2031	GAUGE ISOLATOR	1
20	6307	HOSE FITTING 1/4" X 1/4" BRASS KING NIPPLE	1
21	5037	HOSE TO GAUGE 1/4" X 40"	1
22	5035	BRASS FITTING, 90° (150F-6-4)	1
23	5033	HOSE FITTING (30882-6-6B)	2
24	5042	3/8" X 29" BLACK PUSH LOCK HOSE TO FEED SIGHT TUBE FROM TANK	1
25	5017	HOOD PIN	2
26	5879	COTTER PIN	2
27	7195	SIGHT TUBE VALVE (NV101F-6-4)	1
28	5036	1/4" HOSE FITTING, SWIVEL (30682-4-4B)	1
29	2484	BREATHER TUBE HOLD DOWN CLAMP	1
30	2390	10/24" X 3/4" SCREW	1
31	2391	10/24" HEX NUT	1
32	2478	BREATHER TUBE	1
33	6309	HOSE FITTING (26-4-2)	1

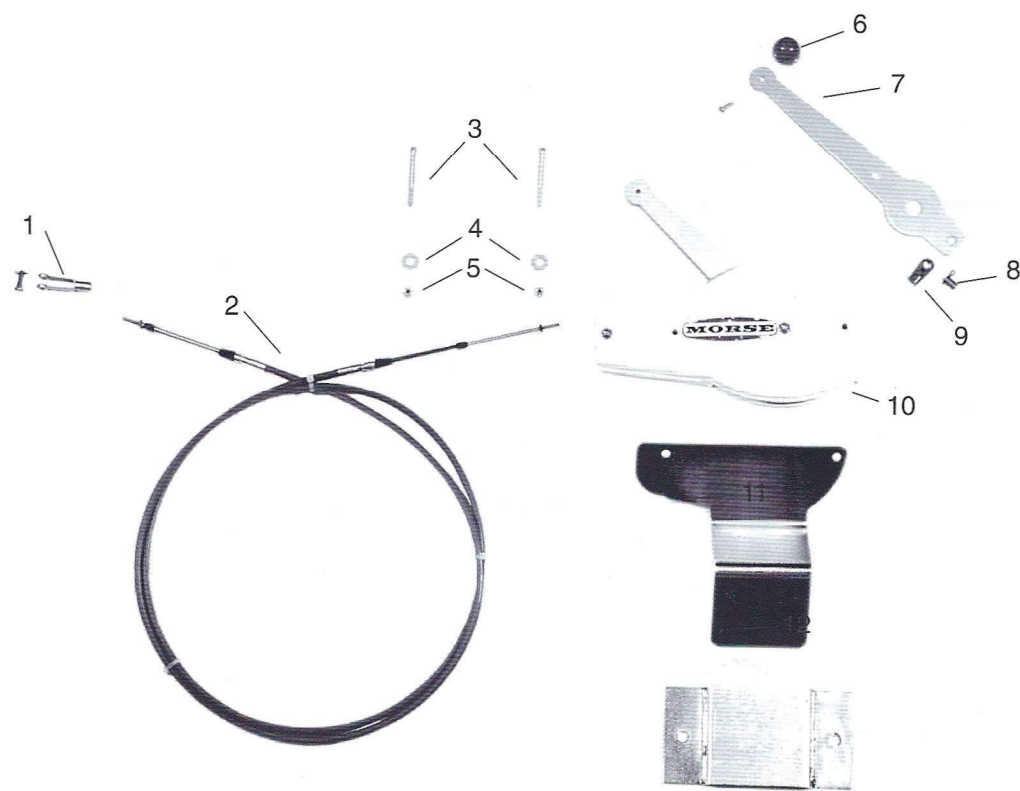


FILL STRAINER & LID



ITEM #	PART #	DESCRIPTION	QTY	ITEM #	PART #	DESCRIPTION	QTY
1	815	SCREEN ONLY, COARSE MESH	1	9	5910	5/16 X 3/4" PLATED CAP SCREW	1
	815A	SCREEN ONLY, FINE MESH	1		10	5911	5/16" PLATED HEX NUT
2	816	FRAME, BASKET	1	11		5912	LATCH LEVER BRACKET
3	811	FILL STRAINER BASKET COARSE MESH COMP.	1		12	5913	EYE BOLT
	811A	FILL STRAINER BASKET FINE MESH COMP.	1	13		4006	LID LATCH ROD
4	814B	LID GASKET	1		14	2252	3/8" JAM NUT
5	813	LID	1	15		2222	5/16" NUT
6	5908	3/8" X 4 1/2" PLATED CAP SCREW	1		16	4005	LATCH HANDLE
7	5907	3/8" NYLON LOCK NUT	1	17		4004	LATCH ASSEMBLY COMPLETE
8	5906	BREATHING, TANK	1				

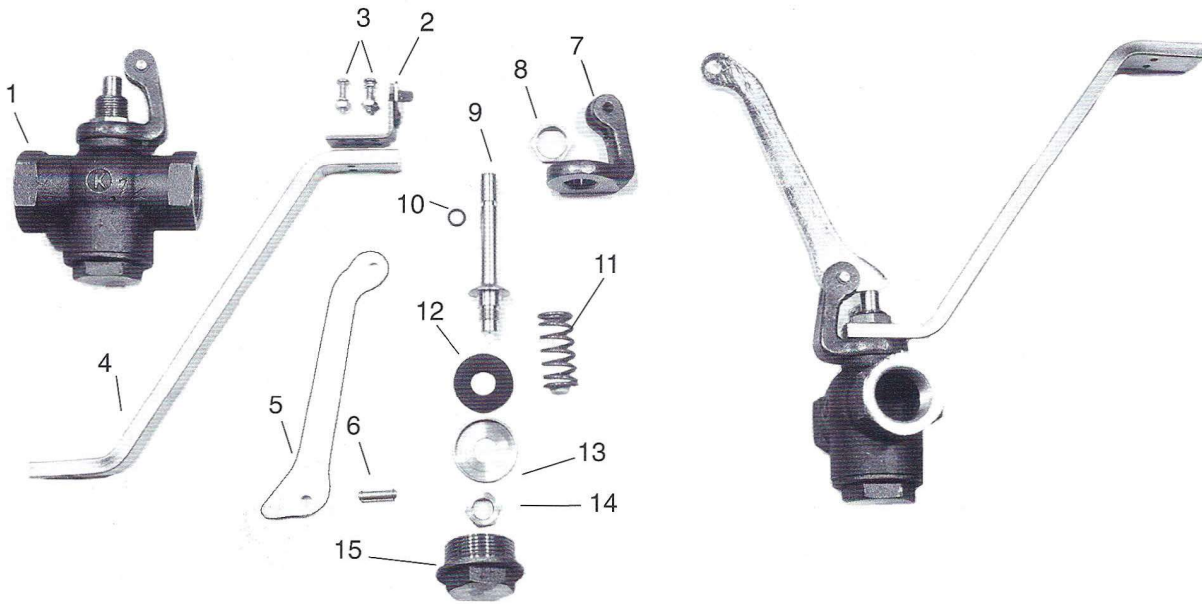
MORSE CONTROLS



ITEM #	PART #	DESCRIPTION	QTY
1	725	CLEVIS	2
2	723	CONTROL CABLE Specify Length	2
3	2212	BOLT 1/4" X 2 1/4"	2
4	2200	FLAT WASHER 1/4"	2
5	2203	NYLOCK NUT 1/4"	2
6	749R or 749B	KNOB (INCLUDES SCREW)	2
7	744	HANDLE	2

ITEM #	PART #	DESCRIPTION	QTY
8	743-2	FRICTION KIT, INCLUDES 2 EACH SPRINGS AND BRAKES	1
9	7036	CABLE CONNECTOR	2
10	742A	CONTROL BOX (2 lever)	1
11	741	CONTROL BOX MOUNTING PLATE	1
12	740	CONTROL BOX POCKET	1

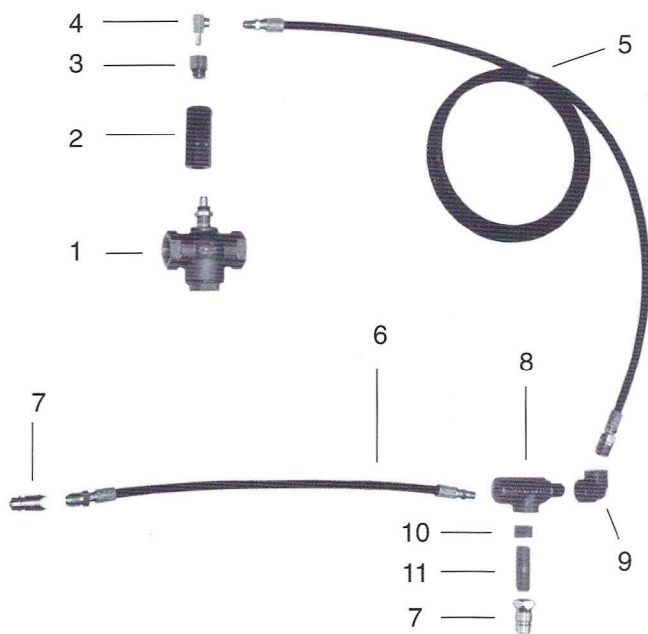
Kingston VALVE ASSEMBLY



ITEM #	PART #	DESCRIPTION	QTY
1	946	1" VALVE, KINGSTON	2
2	732	VALVE CABLE CLIP	2
3	2390	10-24 x 3/4" SCREW	4
	2391	10-24 HEX NUT	4
4	747	VALVE CABLE BRACKET	2
5	922	VALVE HANDLE	2
6	938P	PIN, KINGSTON	2
7	938	VALVE YOKE	2

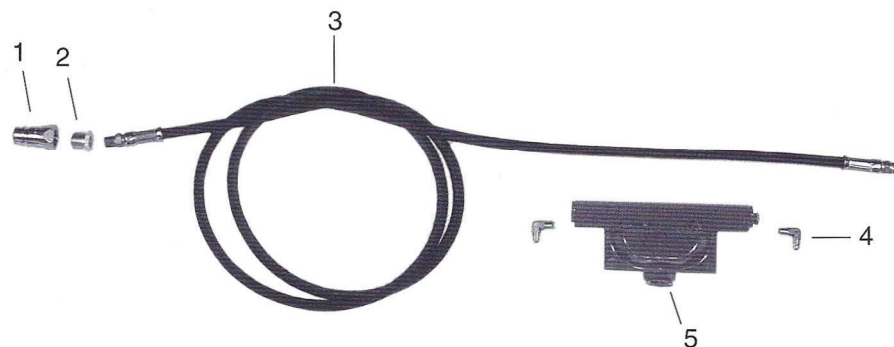
ITEM #	PART #	DESCRIPTION	QTY
8	939	YOKE NUT	2
9	940	STEM	2
10	941	O-RING	2
11	930	SPRING	2
12	932	SEAT	2
13	943	SEAT HOUSING	2
14	942	STEM NUT	2
15	945	BOTTOM PLUG	2

AIR-O-FAN HYDRAULIC VALVE ASSEMBLY



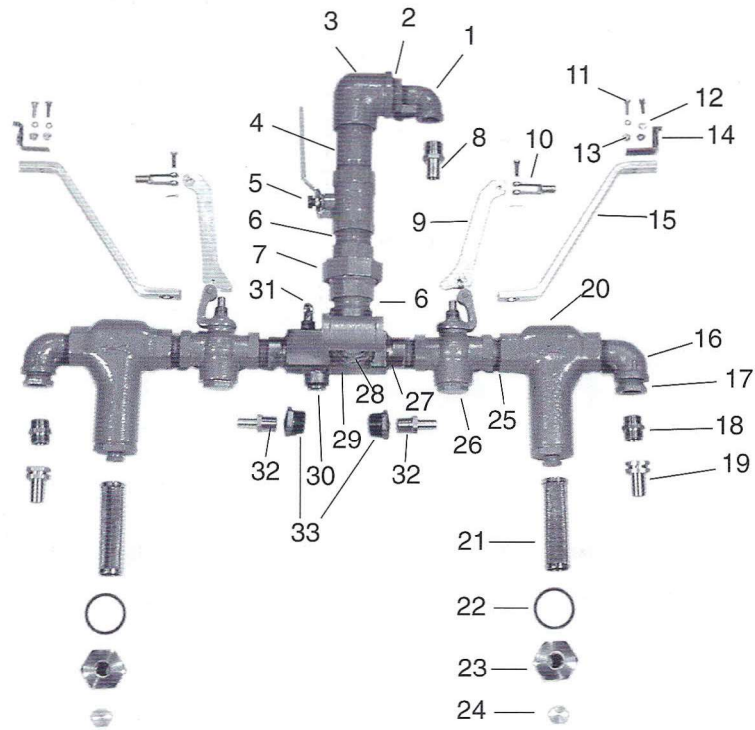
ITEM #	PART #	DESCRIPTION	QTY
1	946	1" KINGSTON VALVE ASSEMBLY	2
2	6160	HYDRAULIC ACTUATOR	2
2A	6161	HYDRAULIC ACTUATOR SEAL KIT (NOT PICTURED)	2
3	6162	HYDRAULIC ADPTER FITTING	2
4	6163	HYDRAULIC FITTING, 90° SWIVEL	2
5	6164	HYDRAULIC HOSE 1/4" x 96"	2
6	6165	HYDRAULIC HOSE 1/4" x 22"	2
7	6146	HYDRAULIC QUICK COUPLER, MALE	2
8	6166	HYDRAULIC VALVE	2
9	3086	ELBOW 1/2"	2
10	6167	RUBBER BUSHING	2
11	3087	PIPE NIPPLE 1/2" x 3"	2

GROMO HYDRAULIC VALVE W/ HOSES & FITTINGS



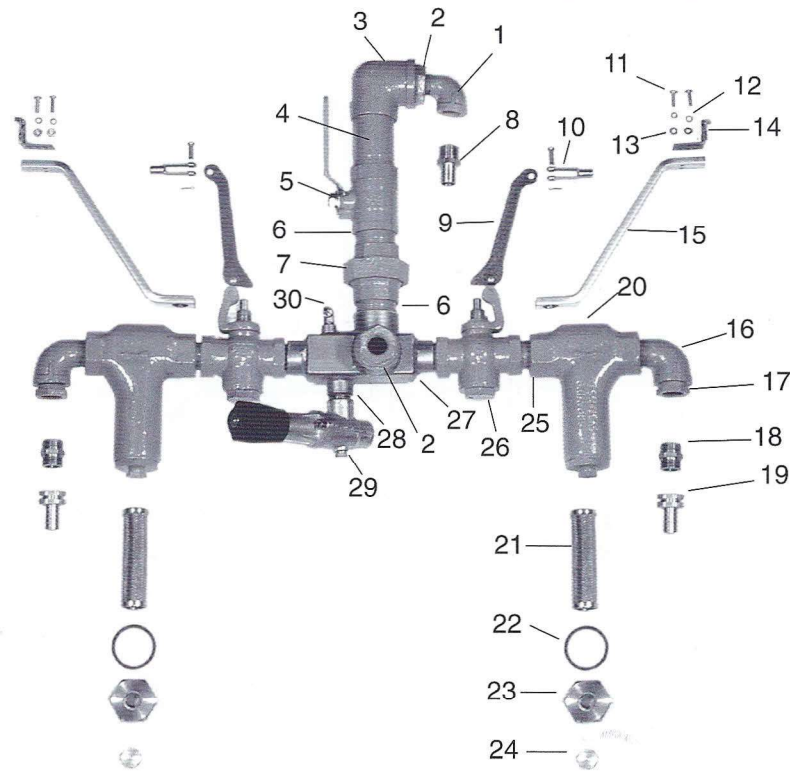
ITEM #	PART #	DESCRIPTION	QTY
1	6146	PIONEER QUICK COUPLER, MALE	1 PER HOSE
2	2556	1/2" TO 1/4" HEX BUSHING	1 PER HOSE
3	6148	HYDRAULIC HOSE 1/4" X 96"	2 PER VALVE
4	6149	STEEL ELBOW FITTING 90° (2103-2-4)	2 PER VALVE
5	6150	1" GROMO HYDRAULIC VALVE	1

PLUMBING TREE DUAL KINGSTON VALVES W/ IDS PUMPS



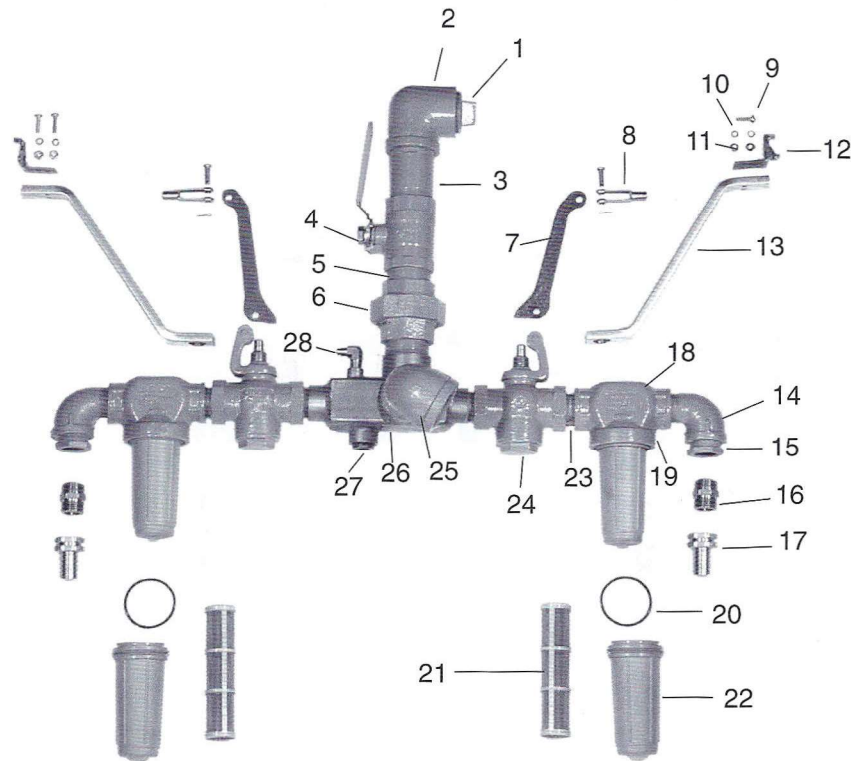
ITEM #	PART #	DESCRIPTION	QTY	ITEM #	PART #	DESCRIPTION	QTY
1	2587	3/4" GALV. ST. EL., 90°	1	19	5057	3/4" GARDEN HOSE SWIVEL FITTING	2
2	2655	1 1/2" TO 3/4" GALV. HEX BUSHING	1	20	5077	1" CAST IRON LINE STRAINER	2
3	2659	1 1/2" GALV. SIDE-OUT ELBOW	1	21	5078	LINE STRAINER SCREEN	2
4	2666	1 1/2" X 3" GALV. PIPE NIPPLE	1	22	5079	LINE STRAINER GASKET	2
5	5092	1 1/2" BRASS BALL VALVE	1	23	5079A	LINE STRAINER BOTTOM CAP	2
6	2663	1 1/2" X CLOSE GALV. PIPE NIPPLE	2	24	5079B	1/2" GALV. PIPE PLUG	2
7	2662	1 1/2" GALV. UNION	1	25	2618	1" X CLOSE GALV. PIPE NIPPLE	5
8	5054	3/4" X 1" NYLON KING NIPPLE ST.	1	26	946	1" KINGSTON VALVE	2
9	922	CONTROL VALVE HANDLE	2	27	2616	1" GALV. TEE	1
10	725	CABLE CLEVIS	2	28	2656	1 1/2" TO 1" GALV. BUSHING	1
11	2390	10/24" X 3/4" SCREW	4	29	6132	STAINLESS STEEL PLUMBING MANIFOLD	1
12	2392	10/24" LOCK WASHER	4	30	7752	3/4" BRASS PLUG	1
13	2391	10/24" HEX NUT	4	31	5071	BRASS ELBOW FITTING 90° (149F-4-4)	1
14	732	VALVE CABLE CLIP	2	32	6300	1/2" X 1/2" BRASS KING NIPPLE	2
15	747	VALVE CABLE BRACKET	2	33	2609	1" X 1/2" GALV. HEX BUSHING	2
16	2614	1" GALV. ST. EL., 90°	2	34	6279	IDS PUMP REGULATOR TO MANIFOLD PRESSURE HOSE 24" LONG (NOT SHOWN)	1
17	2610	1" TO 3/4" GALV. HEX BUSHING	2				
18	5056	3/4" GARDEN HOSE ADAPTER	2				

PLUMBING TREE DUAL KINGSTON VALVES W/ APS PUMPS



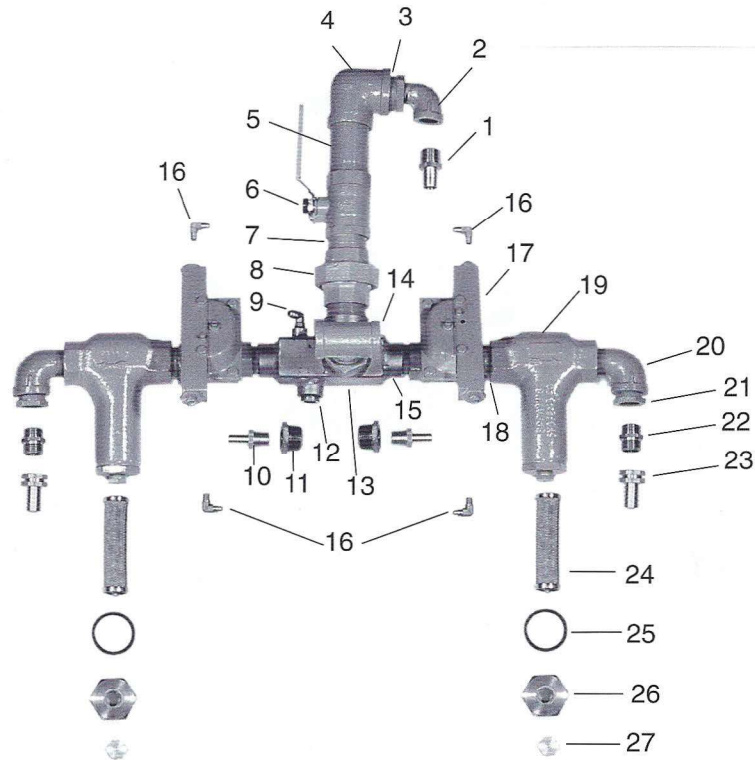
ITEM #	PART #	DESCRIPTION	QTY	ITEM #	PART #	DESCRIPTION	QTY
1	2587	3/4" GALV. ST. EL., 90°	1	17	2610	1" TO 3/4" GALV. HEX BUSHING	2
2	2655	1 1/2" TO 3/4" GALV. HEX BUSHING	1	18	5056	3/4" GARDEN HOSE ADAPTER	2
3	2659	1 1/2" GALV. SIDE-OUT ELBOW	1	19	5057	3/4" GARDEN HOSE SWIVEL FITTING	2
4	2666	1 1/2" X 3" GALV. PIPE NIPPLE	1	20	5077	1" CAST IRON LINE STRAINER	2
5	5092	1 1/2" BRASS BALL VALVE	1	21	5078	LINE STRAINER SCREEN	2
6	2663	1 1/2" X CLOSE GALV. PIPE NIPPLE	2	22	5079	LINE STRAINER GASKET	2
7	2662	1 1/2" GALV. UNION	1	23	5079A	LINE STRAINER BOTTOM CAP	2
8	5054	3/4" X 1" NYLON KING NIPPLE ST.	1	24	5079B	1/2" GALV. PIPE PLUG	2
9	922	CONTROL VALVE HANDLE	2	25	2618	1" X CLOSE GALV. PIPE NIPPLE	4
10	725	CABLE CLEVIS	2	26	946	1" KINGSTON VALVE	2
11	2390	10/24" X 3/4" SCREW	4	27	6132	STAINLESS STEEL PLUMBING MANIFOLD	1
12	2392	10/24" LOCK WASHER	4	28	2817	3/4" X CLOSE SS PIPE NIPPLE	1
13	2391	10/24" HEX NUT	4	29	6200	3/4" BRAGLIA REGULATOR	1
14	732	VALVE CABLE CLIP	2	30	5071	BRASS ELBOW FITTING 90° (149F-4-4)	1
15	747	VALVE CABLE BRACKET	2	31	6277	PUMP TO MANIFOLD PRESSURE HOSE 24" LONG (NOT SHOWN)	1
16	2614	1" GALV. ST. EL., 90°	2				

PLUMBING TREE DUAL KINGSTON VALVES W/ MYERS PUMPS



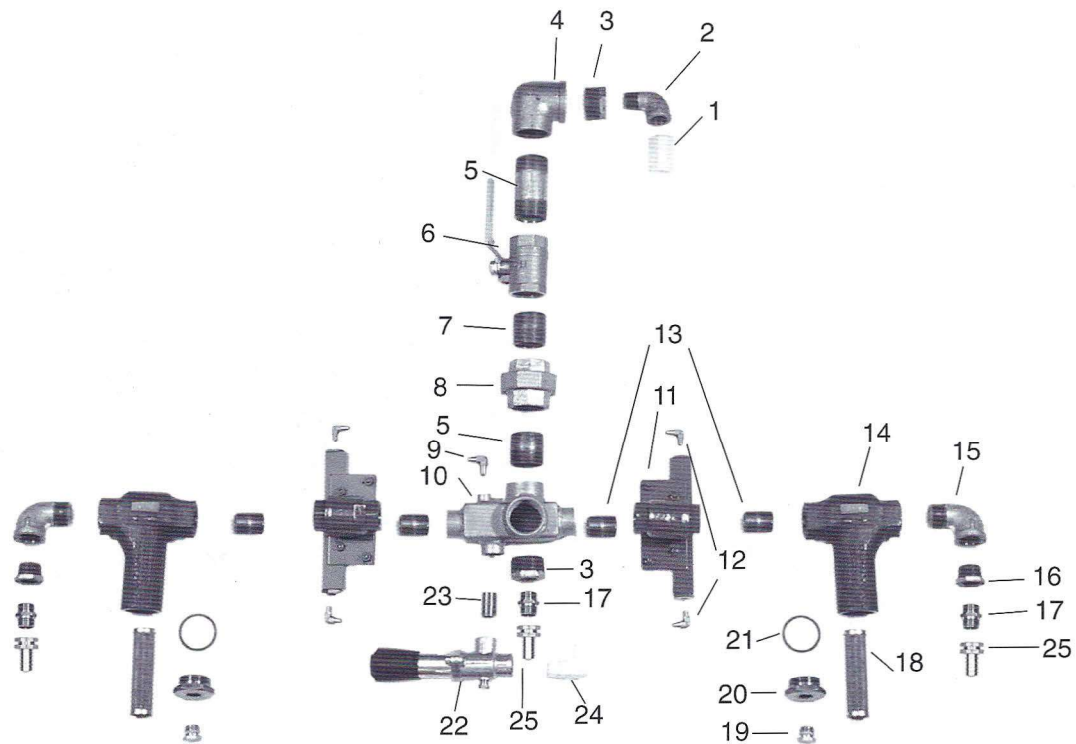
ITEM #	PART #	DESCRIPTION	QTY	ITEM #	PART #	DESCRIPTION	QTY
1	2658	1 1/2" GALV. PIPE PLUG	1	16	5056	3/4" GARDEN HOSE ADAPTER	2
2	2659	1 1/2" GALV. SIDE-OUT ELBOW	1	17	5057	3/4" GARDEN HOSE SWIVEL FITTING	2
3	2666	1 1/2" X 3" GALV. PIPE NIPPLE	1	18	2002	1" LINE STRAINER	2
4	5092	1 1/2" BRASS BALL VALVE	1	19	2002A	LINE STRAINER ALUMINUM HEAD	2
5	2663	1 1/2" X CLOSE GALV. PIPE NIPPLE	2	20	2002D	LINE STRAINER O RING	2
6	2662	1 1/2" GALV. UNION	1	21	2002C	LINE STRAINER SCREEN	2
7	922	CONTROL VALVE HANDLE	2	22	2002B	LINE STRAINER NYLON BOWL	2
8	725	CABLE CLEVIS	2	23	2618	1" X CLOSE GALV. PIPE NIPPLE	4
9	2390	10/24" X 3/4" SCREW	4	24	946	1" KINGSTON VALVE	2
10	2392	10/24" LOCK WASHER	4	25	2660	1 1/2" GALV. ST. EL., 90°	1
11	2391	10/24" HEX NUT	4	26	6132	STAINLESS STEEL PLUMBING MANIFOLD	1
12	732	VALVE CABLE CLIP	2	27	7752	3/4" BRASS PLUG	1
13	747	VALVE CABLE BRACKET	2	28	5071	BRASS ELBOW FITTING, 90° (149F-4-4)	1
14	2614	1" GALV. ST. EL., 90°	2	29	6278	PUMP TO MANIFOLD PRESSURE HOSE (NO FITTINGS) 24" LONG (NOT SHOWN)	1
15	2610	1" TO 3/4" GALV. HEX BUSHING	2				

PLUMBING TREE DUAL GROMO VALVES W/ IDS PUMPS



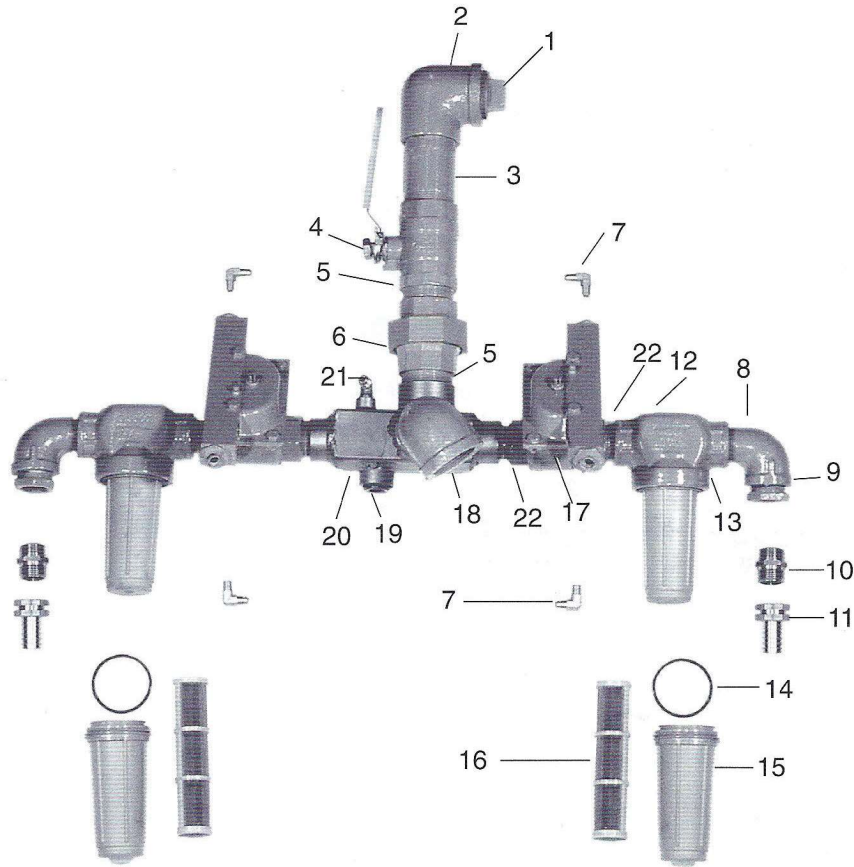
ITEM #	PART #	DESCRIPTION	QTY	ITEM #	PART #	DESCRIPTION	QTY
1	5054	3/4" X 1" NYLON KING NIPPLE ST.	1	15	2616	1" GALV. TEE	1
2	2587	3/4" GALV. ST. EL., 90°	1	16	6149	STEEL ELBOW FITTING, 90° (2103-2-4)	4
3	2655	1 1/2" TO 3/4" GALV. HEX BUSHING	1	17	6150	1" GROMO HYDRAULIC VALVE	2
4	2659	1 1/2" GALV. SIDE-OUT ELBOW	1	18	2618	1" X CLOSE GALV. PIPE NIPPLE	5
5	2666	1 1/2" X 3" GALV. PIPE NIPPLE	1	19	5077	1" CAST IRON LINE STRAINER	2
6	5092	1 1/2" BRASS BALL VALVE	1	20	2614	1" GALV. ST. EL., 90°	2
7	2663	1 1/2" X CLOSE GALV. PIPE NIPPLE	2	21	2610	1" TO 3/4" GALV. HEX BUSHING	2
8	2662	1 1/2" GALV. UNION	1	22	5056	3/4" GARDEN HOSE ADAPTER	2
9	5071	BRASS ELBOW FITTING, 90° (149F-4-4)	1	23	5057	3/4" GARDEN HOSE SWIVEL FITTING	2
10	6300	1/2" X 1/2" BRASS KING NIPPLE	2	24	5078	LINE STRAINER SCREEN	2
11	2609	1" TO 1/2" GALV. HEX BUSHING	2	25	5079	LINE STRAINER GASKET	2
12	7752	3/4" BRASS PLUG	1	26	5079A	LINE STRAINER BOTTOM CAP	2
13	6133	HIGH PRESSURE STAINLESS STEEL PLUMBING MANIFOLD	1	27	5079B	1/2" GALV. PIPE PLUG	2
14	2656	1 1/2" TO 1" GALV. HEX BUSHING	1	28	6279	PUMP TO MANIFOLD PRESSURE HOSE 24" LONG (NOT SHOWN)	1

PLUMBING TREE DUAL GROMO VALVES W/ APS PUMPS



ITEM #	PART #	DESCRIPTION	QTY	ITEM #	PART #	DESCRIPTION	QTY
1	5054	3/4" X 1" NYLON KING NIPPLE	1	14	5077	1" CAST IRON LINE STRAINER	2
2	2587	3/4" GALV. ST. EL., 90°	1	15	2614	1" GALV. ST. EL., 90°	2
3	2655	1 1/2" TO 3/4" GALV. HEX BUSHING	2	16	2610	1" TO 3/4" GALV. HEX BUSHING	2
4	2659	1 1/2" GALV. SIDE-OUT ELBOW	1	17	5056	3/4" GARDEN HOSE ADAPTER	3
5	2666	1 1/2" X 3" GALV. PIPE NIPPLE	1	18	5078	LINE STRAINER SCREEN	2
6	5092	1 1/2" BRASS BALL VALVE	1	19	5079B	1/2" GALV. PIPE PLUG	2
7	2663	1 1/2" X CLOSE GALV. PIPE NIPPLE	3	20	5079A	LINE STRAINER BOTTOM CAP	2
8	2662	1 1/2" GALV. UNION	1	21	5079	LINE STRAINER GASKET	2
9	5071	BRASS ELBOW FITTING, 90° (149F-4-4)	1	22	6200	3/4" BRAGLIA REGULATOR	1
10	6133	HIGH PRESSURE STAINLESS STEEL PLUMBING MANIFOLD	1	23	2828	3/4" X CLOSE SS PIPE NIPPLE	1
11	6150	1" GROMO HYDRAULIC VALVE	2	24	6276	3/4" NYLON KING NIPPLE, 90°	1
12	6149	STEEL ELBOW FITTING, 90° (2103-2-4)	4	25	5057	3/4" GARDEN HOSE SWIVEL FITTING	3
13	2618	1" X CLOSE GALV. PIPE NIPPLE	4	26	6277	PUMP TO MANIFOLD PRESSURE HOSE 24" LONG (NOT SHOWN)	1

PLUMBING TREE DUAL GROMO VALVES W/ MYERS PUMPS



ITEM #	PART #	DESCRIPTION	QTY	ITEM #	PART #	DESCRIPTION	QTY
1	2658	1 1/2" GALV. PIPE PLUG	1	13	2002A	LINE STRAINER ALUMINUM HEAD	2
2	2659	1 1/2" GALV. SIDE-OUT ELBOW	1	14	2002D	LINE STRAINER O RING	2
3	2666	1 1/2" X 3" GALV. PIPE NIPPLE	1	15	2002B	LINE STRAINER NYLON BOWL	2
4	5092	1 1/2" BRASS BALL VALVE	1	16	2002C	LINE STRAINER SCREEN	2
5	2663	1 1/2" X CLOSE GALV. PIPE NIPPLE	2	17	6150	1" GROMO HYDRAULIC VALVE	2
6	2662	1 1/2" GALV. UNION	1	18	2660	1 1/2" GALV. ST. EL., 90°	1
7	6149	STEEL ELBOW FITTING, 90° (2103-2-4)	4	19	7752	3/4" BRASS PLUG	1
8	2614	1" GALV. ST. EL., 90°	2	20	6132	STAINLESS STEEL PLUMBING BLOCK	1
9	2610	1" TO 3/4" GALV. HEX BUSHING	2	21	5071	BRASS ELBOW FITTING, 90° (149F-4-4)	1
10	5056	3/4" GARDEN HOSE ADAPTER	2	22	2618	1" X CLOSE GALV. PIPE NIPPLE	4
11	5057	3/4" GARDEN HOSE SWIVEL FITTING	2	23	6278	PUMP TO MANIFOLD PRESSURE HOSE (NOT SHOWN)	1
12	2002	1" LINE STRAINER	2				

**PRESSURE HOSE LENGTHS CURRENTLY USED ON
GB-34R, GB-36R, GB2/32 - 500, 600 GALLON**

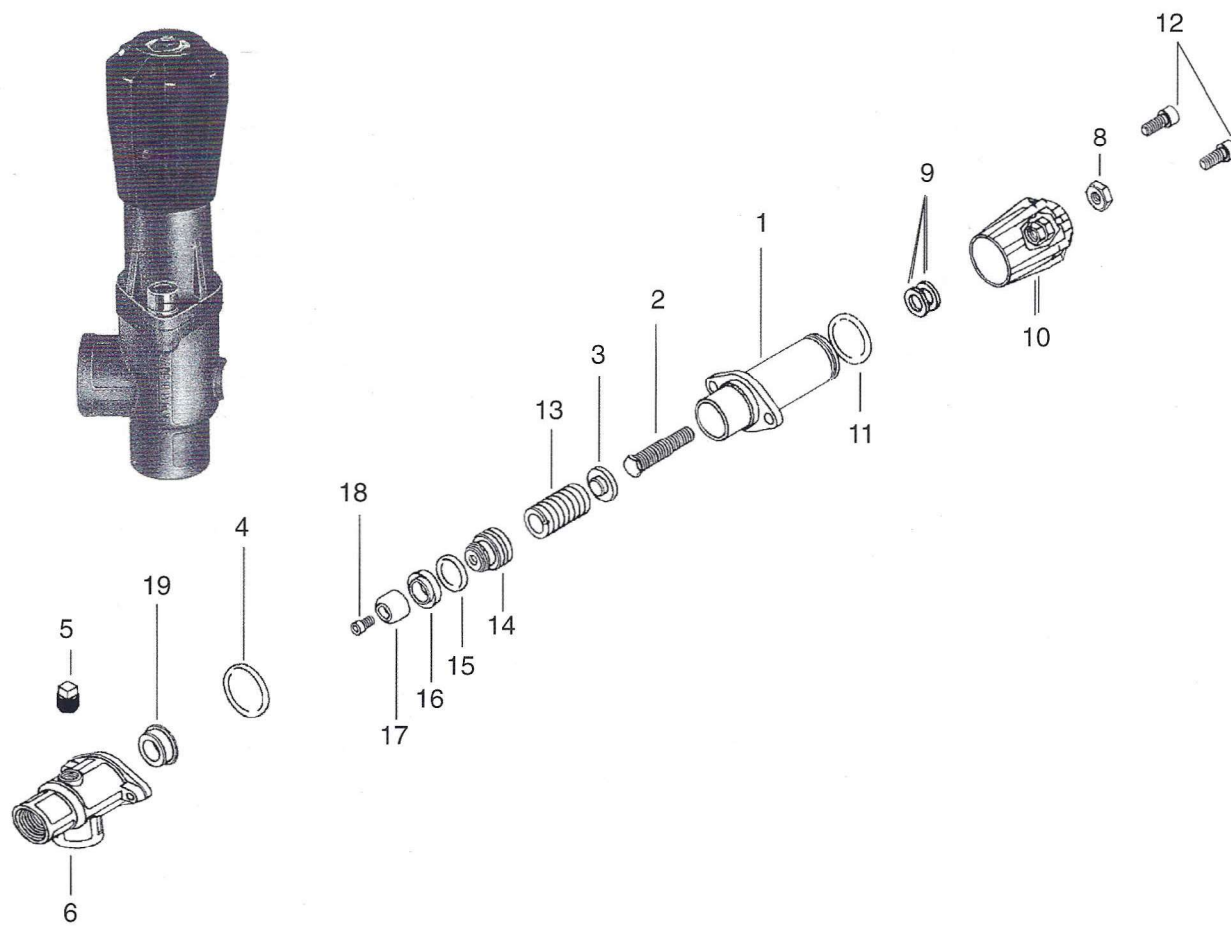
ITEM #	PART #	DESCRIPTION	QTY	ITEM #	PART #	DESCRIPTION	QTY
1	6277	GB-34R, 500 GAL. APS PUMP TO PRESSURE MANIFOLD, 24", 3/4" PVC HOSE INCLUDING SWIVEL FITTINGS	1	8	6280	GB-34R, GB-36R, GB2/32, 500 GAL. PRESSURE FILTER TO SPRAY MANIFOLD, 125", 3/4" PVC HOSE INCLUDING SWIVEL FITTINGS	2
2	6277	GB-36R, 500 GAL. APS PUMP TO PRESSURE MANIFOLD, 24", 3/4" PVC HOSE INCLUDING SWIVEL FITTINGS	1	9	6281	GB-34R, GB-36R, GB2/32, 500 GAL. PRESSURE FILTER TO SPRAY MANIFOLD, 135", 3/4" PVC HOSE INCLUDING SWIVEL FITTINGS	2
3	6278	GB-34R, 500 GAL. MYERS PUMP TO PRESSURE MANIFOLD, 24", 1 1/2" RED PRESSURE HOSE, NO FITTINGS	1				
4	6278	GB-36R, 500 GAL. MYERS PUMP TO PRESSURE MANIFOLD, 24", 1 1/2" RED PRESSURE HOSE, NO FITTINGS	1				
5	6277	GB2/32, 500 GAL. APS PUMP TO PRESSURE MANIFOLD, 24", 3/4" PVC HOSE INCLUDING FITTINGS	1				
6	6278	GB2/32, 500 GAL. MYERS PUMP TO PRESSURE MANIFOLD, 24", 1 1/2" RED PRESSURE HOSE, NO FITTINGS	1				
7	6279	GB-34R, GB-36R, GB2/32, 500 GAL. IDS PUMP REGULATOR TO PRESSURE MANIFOLD, 24", 1" PRESSURE HOSE NO FITTINGS	1				

DELIVERY LINE STRAINER ASSEMBLY (NEW STYLE, 2007) PART # 6350



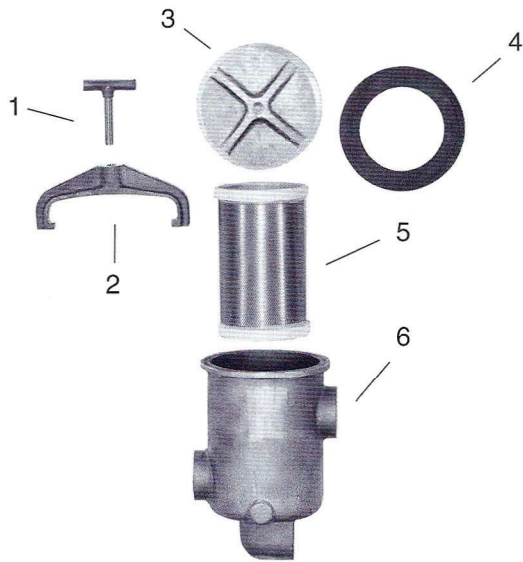
ITEM #	PART #	DESCRIPTION	QTY	ITEM #	PART #	DESCRIPTION	QTY
1	6350	1" STRAINER ASSEMBLY COMPLETE	1	6	6357	GASKER, VITON	1
2	6352	1" STRAINER HEAD, POLYPROPYLENE	1	7	6358	BOWL, POLYPROPYLENE	1
3	6354	SCREEN, 16 MESH (GREY)	1	8	6359	GASKET, VITON	1
4	6355	SCREEN, 30 MESH (YELLOW) STANDARD	1	9	6360	CAP, POLYPROPYLENE	1
5	6356	SCREEN, 50 MESH (RED)	1				

PRESSURE REGULATOR ASSEMBLY (USED ON COMET APS SERIES PUMPS) PART # 6200



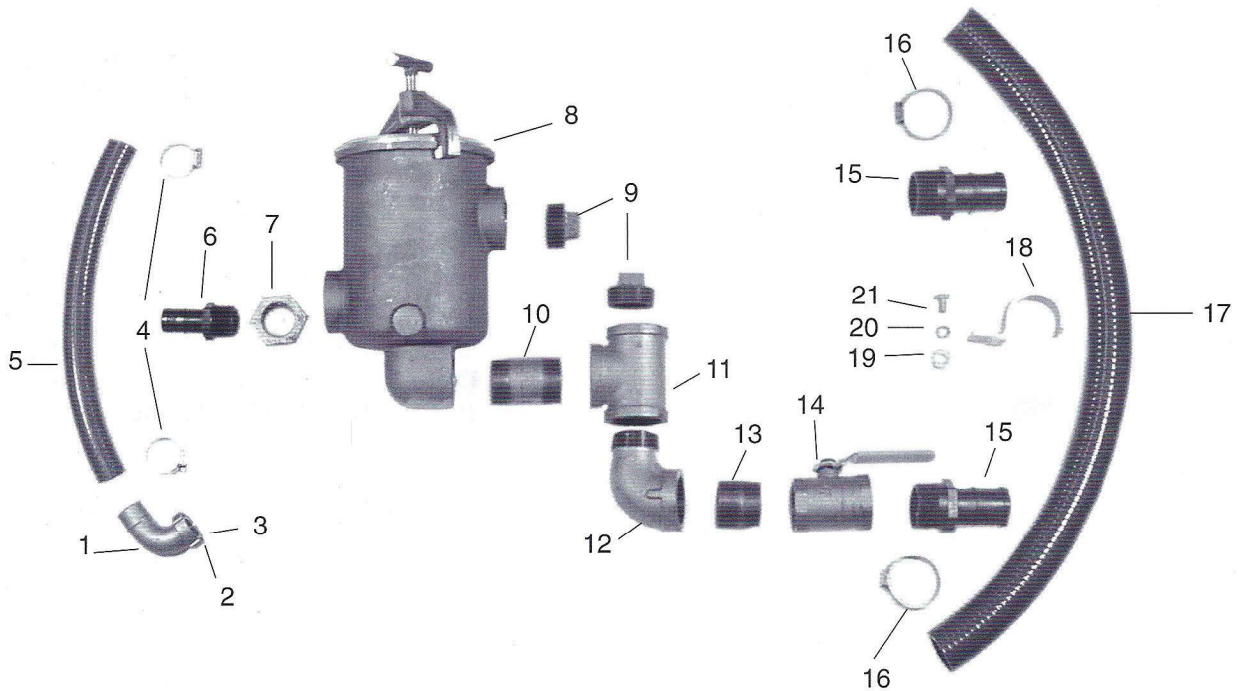
ITEM #	PART #	DESCRIPTION	QTY	ITEM #	PART #	DESCRIPTION	QTY
1	6180	REGULATOR BODY	1	11	6204	HANDLE O-RING	1
2	6181	ADJUSTMENT SCREW	1	12	6205	BOLT (8 X 1.25 X 20 MM)	2
3	6182	SPRING PLATE	1	13	6206	SPRING	1
4	6183	O-RING	1	14	6207	STEM	1
5	6184	PLUG	1	15	6208	O-RING	1
6	6185	REGULATOR BODY LOWER HALF	1	16	6209	RUBBER SEAL RING	1
7	6200	BRAGLIA REGULATOR	1	17	6210	VALVE	1
8	6201	BRASS HANDLE NUT	1	18	6211	STAINLESS STEEL SCREW	1
9	6202	HANDLE FLAT WASHER	2	19	6212	VALVE SEAT	1
10	6203	HANDLE	1				

SUCTION FILTER ASSEMBLY



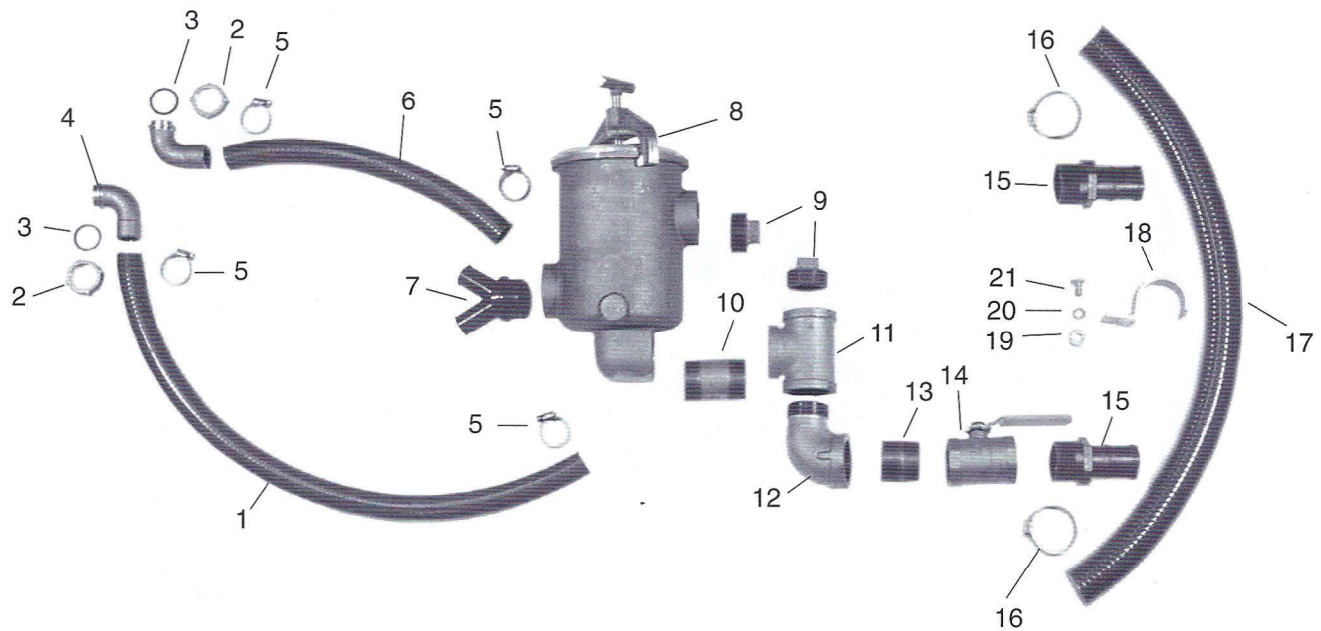
ITEM #	PART #	DESCRIPTION	QTY
1	1016	TEE BOLT	1
2	1017	YOKE	1
3	1018	LID	1
4	1019	GASKET	1
5	1028	SCREEN, COARSE MESH	1
	1020	SCREEN, FINE MESH	1
6	1021	SUCTION FILTER BOWL	1

SUCTION FILTER W/ IDS 1400 PUMP



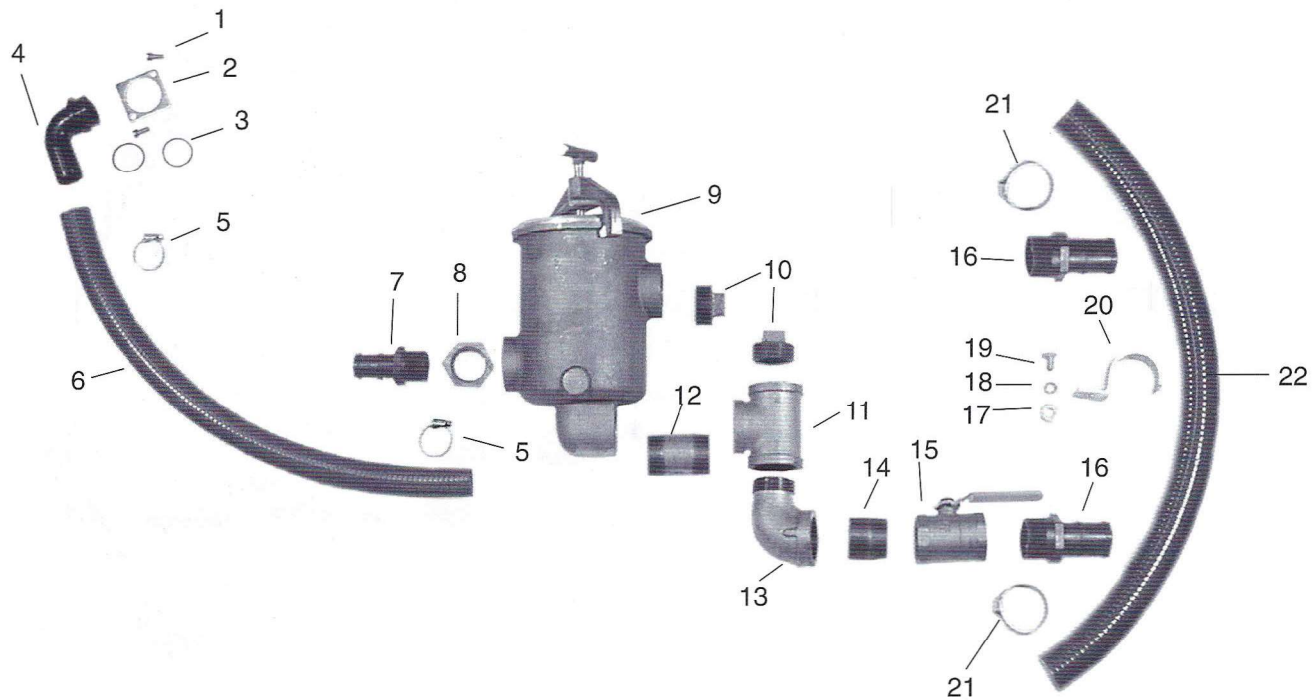
ITEM #	PART #	DESCRIPTION	QTY	ITEM #	PART #	DESCRIPTION	QTY
1	2801/1	HOSE TAIL, 90°	1	12	2679	2" 90° GALV. ST. EL.	1
2	1200/4	FLYNUIT	1	13	2682	2" X CLOSE GALV. NIPPLE	1
3	1209/4	GASKET (NOT SHOWN)	1	14	7137	2" BRASS BALL VALVE	1
4	2456	HOSE CLAMP #20	2	15	7125	2" NYGLASS KING NIPPLE	2
5	7199	SUCTION HOSE 1 1/4" X 17 1/2"	1	16	2459	HOSE CLAMP #32	2
6	5119	NYGLASS KING NIPPLE, 1 1/4"	1	17	5103	SUCTION HOSE 2" X 36"	1
7	2675	2" X 1 1/4" GALV. HEX BUSHING	1	18	2480	2" 1 HOLE PIPE CLAMP	1
8	1025	SUCTION FILTER ASSY. COMPLETE	1	19	2250	3/8" PLATED FLAT WASHER	1
9	2677	2" GALV. PIPE PLUG	2	20	2251	3/8" PLATED LOCK WASHER	1
10	2684	2" X 4" GALV. PIPE NIPPLE	1	21	2255	3/8" X 3/4" PLATED CAP SCREW	1
11	2680	2" GALV. PIPE TEE	1				

SUCTION FILTER W/ IDS 2000 AND IDS 2200 PUMP



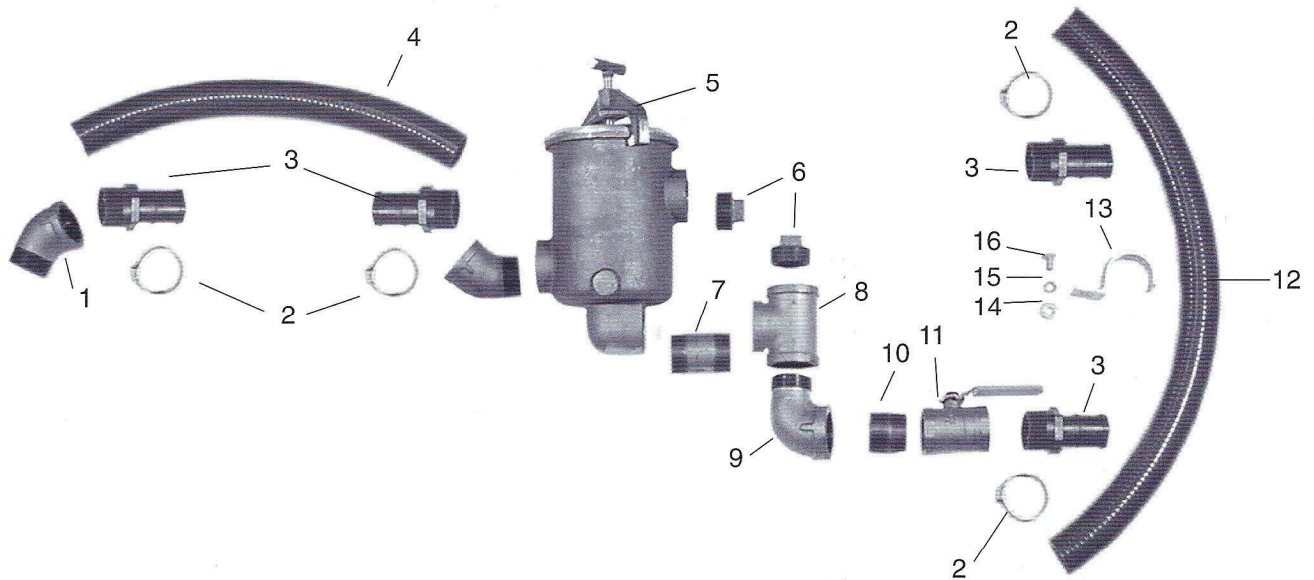
ITEM #	PART #	DESCRIPTION	QTY	ITEM #	PART #	DESCRIPTION	QTY
1	5102	SUCTION HOSE 1 1/4" X 42"	1	11	2680	2" GALV. PIPE TEE	1
2	1200/4	FLYNUIT	2	12	2679	2" 90° GALV. ST. EL.	1
3	1209/4	GASKET	2	13	2682	2" X CLOSE GALV. NIPPLE	1
4	2801/1	HOSE TAIL, 90°	2	14	7137	2" BRASS BALL VALVE	1
5	2456	HOSE CLAMP #20	4	15	7125	2" NYGLASS KING NIPPLE	2
6	7199	SUCTION HOSE 1 1/4" X 17 1/2"	1	16	2459	HOSE CLAMP #32	2
7	2803/39	SUCTION Y FITTING	1	17	5103	SUCTION HOSE 2" X 36"	1
7A	2803/442	SUCTION Y FITTING (IDS 2200)	1	18	2480	2" 1 HOLE PIPE CLAMP	1
8	1025	SUCTION FILTER ASSY. COMPLETE	1	19	2250	3/8" PLATED FLAT WASHER	1
9	2677	2" GALV. PIPE PLUG	2	20	2251	3/8" PLATED LOCK WASHER	1
10	2684	2" X 4" GALV. PIPE NIPPLE	1	21	2255	3/8" X 3/4" PLATED CAP SCREWS	1

SUCTION FILTER W/ APS 141 PUMP



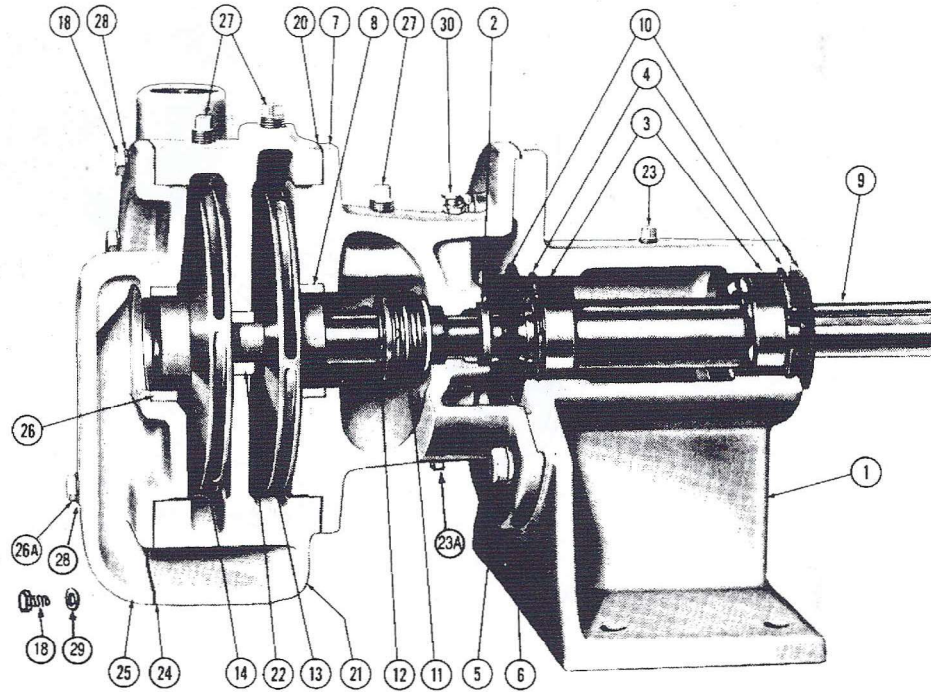
ITEM #	PART #	DESCRIPTION	QTY	ITEM #	PART #	DESCRIPTION	QTY
1	3609/1	BOLT	2	12	2684	2" X 4" GALV. PIPE NIPPLE	1
2	2404/139	FLANGE	1	13	2679	2" GALV. 90° ST. EL.	1
3	1210/97	O RING	2	14	2682	2" X CLOSE GALV. NIPPLE	1
4	2801/57	HOSE TAIL, 90°	1	15	7137	2" BRASS BALL VALVE	1
5	2457	HOSE CLAMP #24	2	16	7125	2" NYGLASS KING NIPPLE	2
6	5104	SUCTION HOSE 1 1/2" X 29"	1	17	2250	3/8" PLATED FLAT WASHER	1
7	5115	1 1/2" NYGLASS KING NIPPLE	1	18	2251	3/8" PLATED LOCK WASHER	1
8	2676	2 X 1 1/2" GALV. HEX BUSHING	1	19	2255	3/8" X 3/4" PLATED CAP SCREW	1
9	1025	SUCTION FILTER ASSY. COMPLETE	1	20	2480	2" 1 HOLE PIPE CLAMP	1
10	2677	2" GALV. PIPE PLUG	2	21	2459	HOSE CLAMP #32	2
11	2680	2" GALV. PIPE TEE	1	22	5103	SUCTION HOSE 2" X 36"	1

SUCTION FILTER W/ MYERS PUMP



ITEM #	PART #	DESCRIPTION	QTY	ITEM #	PART #	DESCRIPTION	QTY
1	2669	2" 45° GALV. ST. EL.	2	9	2679	2" 90° GALV. ST. EL.	1
2	2459	HOSE CLAMP #32	4	10	2682	2" X CLOSE GALV. NIPPLE	1
3	7125	NYGLASS KING NIPPLE, 2"	4	11	7137	2" BRASS BALL VALVE	1
4	6264A	SUCTION HOSE 2" X 26"	1	12	5103A	SUCTION HOSE 2" X 38 "	1
5	1025	SUCTION FILTER ASSY. COMPLETE	1	13	2480	2" 1 HOLE PIPE CLAMP	1
6	2677	2" GALV. PIPE PLUG	2	14	2250	3/8" PLATED FLAT WASHER	1
7	2684	2" X 4" GALV. PIPE NIPPLE	1	15	2251	3/8" PLATED LOCK WASHER	1
8	2680	2" GALV. PIPE TEE	1	16	2255	3/8" X 3/4" PLATED CAP SCREW	1

Meyers CENTRIFUGAL PUMP (OPTION)

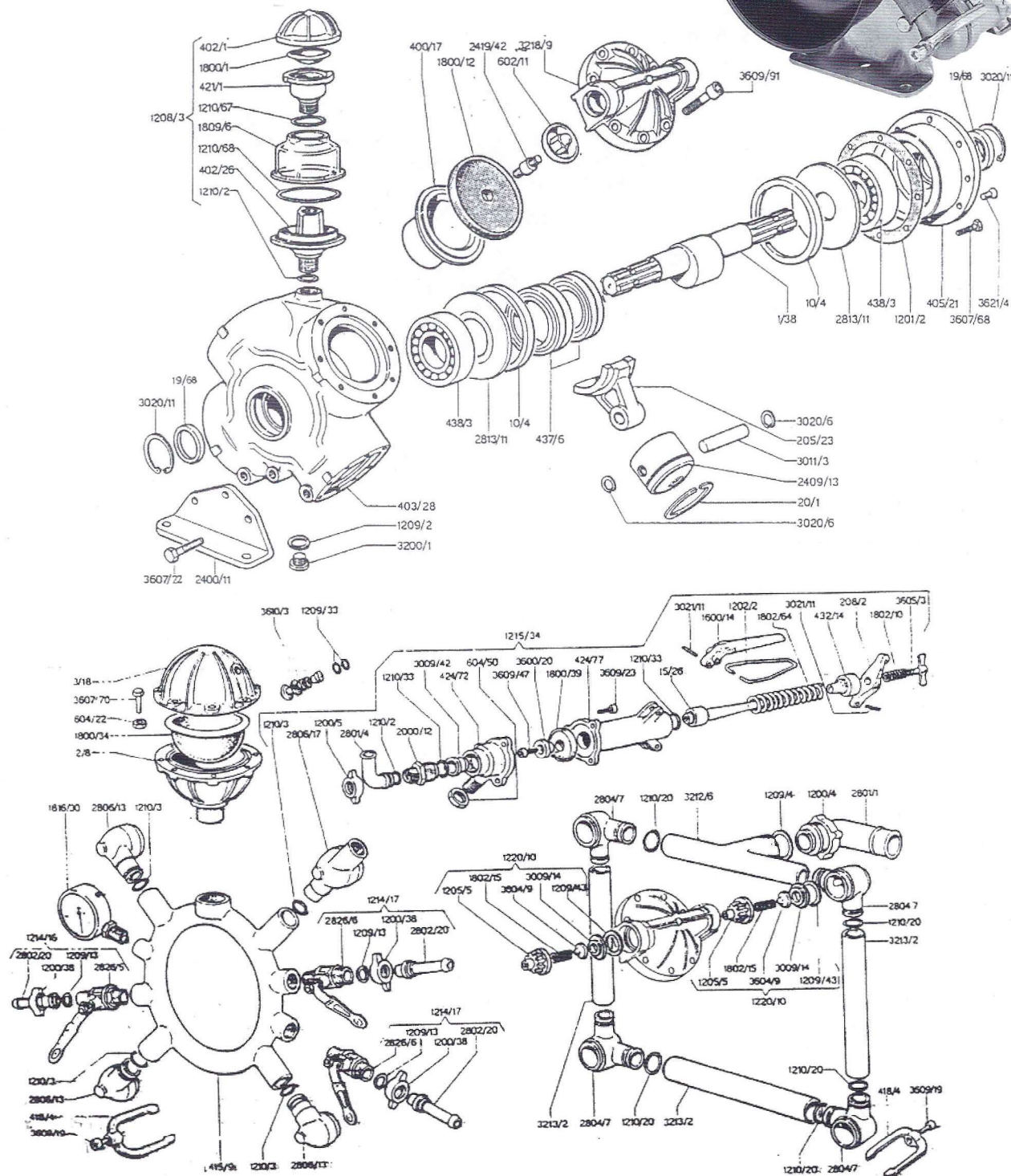
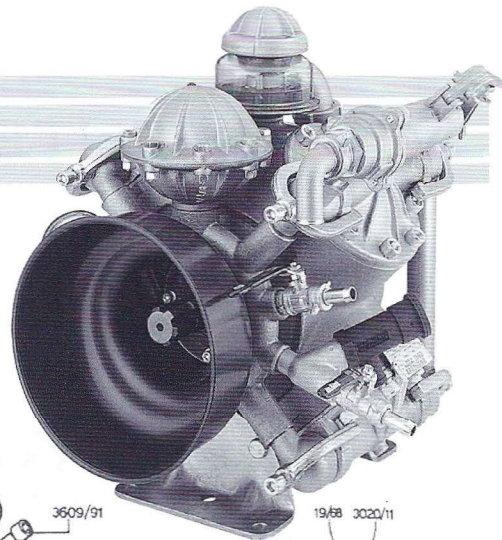


ITEM #	PART #	DESCRIPTION	QTY	ITEM #	PART #	DESCRIPTION	QTY
1	7154	BRACKET, BEARING	1	*	7171	LOCKWASHER, 3/8"	1
2	7155	SEAL, OIL	1	18	7172	SCREW, CAP 3/8" - 16 UNC X 7/8"	16
3	7156	BEARING	2	20	7174	GASKET, PAPER	1
4	7157	RING, SNAP, BEARING RETAINER	2	21	7175	CASE, VOLUTE W / WEARING RING	1
5	7158	SCREW, CAP 1/2" - 13 UNC X 1 1/4"	4	22	7176	RING, WEARING FOR VOLUTE CASE	1
6	7159	LOCK WASHER, 1/2"	4	23	7177	PLUG, PIPE 1/8"	5
7	7160	BRACKET, SEAL, W / WEARING RING	1	23A	7178	PLUG, PIPE 1/4"	2
8	7161	RING, WEARING, FOR SEAL BRACKET	1	24	7179	GASKET, PAPER, BACKPLATE TO VOLUTE CASE	1
9	7162	SHAFT, PUMP	1	25	7180	BACKPLATE, W / WEARING RING	1
10	7163	SLINGER	2	26	7181	RING, WEARING FOR BACKPLATE	1
11	7164	SEAL, SHAFT	1	26A	7182	SCREW, CAP 3/8" - 16 UNC X 2"	2
12	7165	RING, SNAP, SEAL RETAINER	1	27	7183	PLUG, PIPE 1/4"	12
13	7166	IMPELLER, INNER	1	28	7184	WASHER, SEAL FASTENER 3/8"	16
14	7167	IMPELLER, OUTER	1	29	7173	LOCKWASHER, 3/8"	2
*	7168	KEY, 3/16 X 3/16 X 2", FOR IMPELLERS	1	30	7185	CUP, OIL 1/8" NPT	1
*	7169	WASHER, IMPELLER RETAINER	1				
*	7170	SCREW, CAP 3/8" - 16 UNC X 1"	1				

* Internal parts not visible

COMET PUMP

MODEL IDS 1400



COMET PUMP MODEL IDS 1400

NEW #	OLD #	DESCRIPTION	QTY	NEW #	OLD #	DESCRIPTION	QTY
0001003800	1/38	ECCENTRIC SHAFT	1	1209001300	1209/13	GASKET	1
0002000800	2/8	ACCUMULATOR BASE	1	1209003300	1209/33	GASKET	2
0003001800	3/18	ACCUMULATOR COVER	1	1209004300	1209/43	GASKET	8
0010000400	10/4	CONNECTING ROD RING	2	1210000200	1210/2	O-RING	2
0015002600	15/26	ROD	1	1210000300	1210/3	O-RING	4
0019000900	19/9	SHAFT SEAL	2	1210002000	1210/20	O-RING	8
0020000100	20/1	COMPRESSION RING	4	1210003300	1210/33	O-RING	3
0205002300	205/23	CONNECTING ROD	4	1210006700	1210/67	O-RING	1
0208000200	208/2	VALVE ARM	1	1210006800	1210/68	O-RING	1
0400001700	400/17	PISTON SLEEVE	4	1214001700	1241/17	TAP ASSY.	3
0402000100	402/1	COVER	1	1215002500	1215/25	REGULATOR VALVE ASS'Y.	1
0403002600	403/26	PUMP CRANKCASE	1	1220001000	1220/10	SUCTION/DELIVERY VALVE ASS'Y.	8
0405002100	405/21	SUPPORT COVER	1	1600001400	1600/14	REGULATOR VALVE LEVER	1
0415000900	415/9	DISCHARGE MANIFOLD	1	1800000100	1800/1	OIL DIAPHRAGM	1
0418000400	418/4	U-CLAMP	8	1800001200	1800/12	DIAPHRAGM	4
0421000100	421/1	VOLUME COMPENSATOR	1	1800003400	1800/34	ACCUMULATOR DIAPHRAGM	1
0424007200	424/72	REGULATOR BODY	1	1800003900	1800/39	REGULAR DIAPHRAGM	1
0424007700	424/77	REGULATOR BODY	1	1802001000	1802/10	SPRING	1
0432001400	432/14	CAP	1	1802001500	1802/15	VALVE SPRING	8
0437000600	437/6	ROLLER BEARING	1	1802006400	1802/64	REGULATOR SPRING	1
0438000300	438/3	BALL BEARING	1	2000001200	2000/12	REGULATOR NIPPLE	1
0602001200	602/12	DIAPHRAGM PLATE	4	2400001100	2400/11	PUMP MOUNTING BRACKET	2
0604002200	604/22	NUT	8	2409001300	2409/13	PISTON	4
0604005000	604/50	NUT	1	2419004200	2419/42	STUD BOLT	4
1200000400	1200/4	WINGNUT	1	2801000100	2801/1	ELBOW	1
1200000500	1200/5	WINGNUT	1	2801000400	2801/4	ELBOW	1
1200003800	1200/38	WINGNUT	1	2802000400	2802/4	DELIVERY HOSE TAIL	1
1201000200	1201/2	GASKET	1	2804000700	2804/7	SUCTION FITTING	4
1202000200	1202/2	RETAILING CLIP	1	2806001300	2806/13	DELIVERY FITTING	3
1205000500	1205/5	VALVE CAGE	8	2806001700	2806/17	DELIVERY FITTING	1
1208000300	1208/3	OIL COMPENSATOR ASS'Y.	1	2813001100	2813/11	CONNECTING ROD WASHER	2
1209000200	1209/2	GASKET	1	3009001400	3009/14	VALVE SEAT	3
1209000400	1209/4	GASKET	1	3009004200	3009/42	REGULATOR SEAT	1

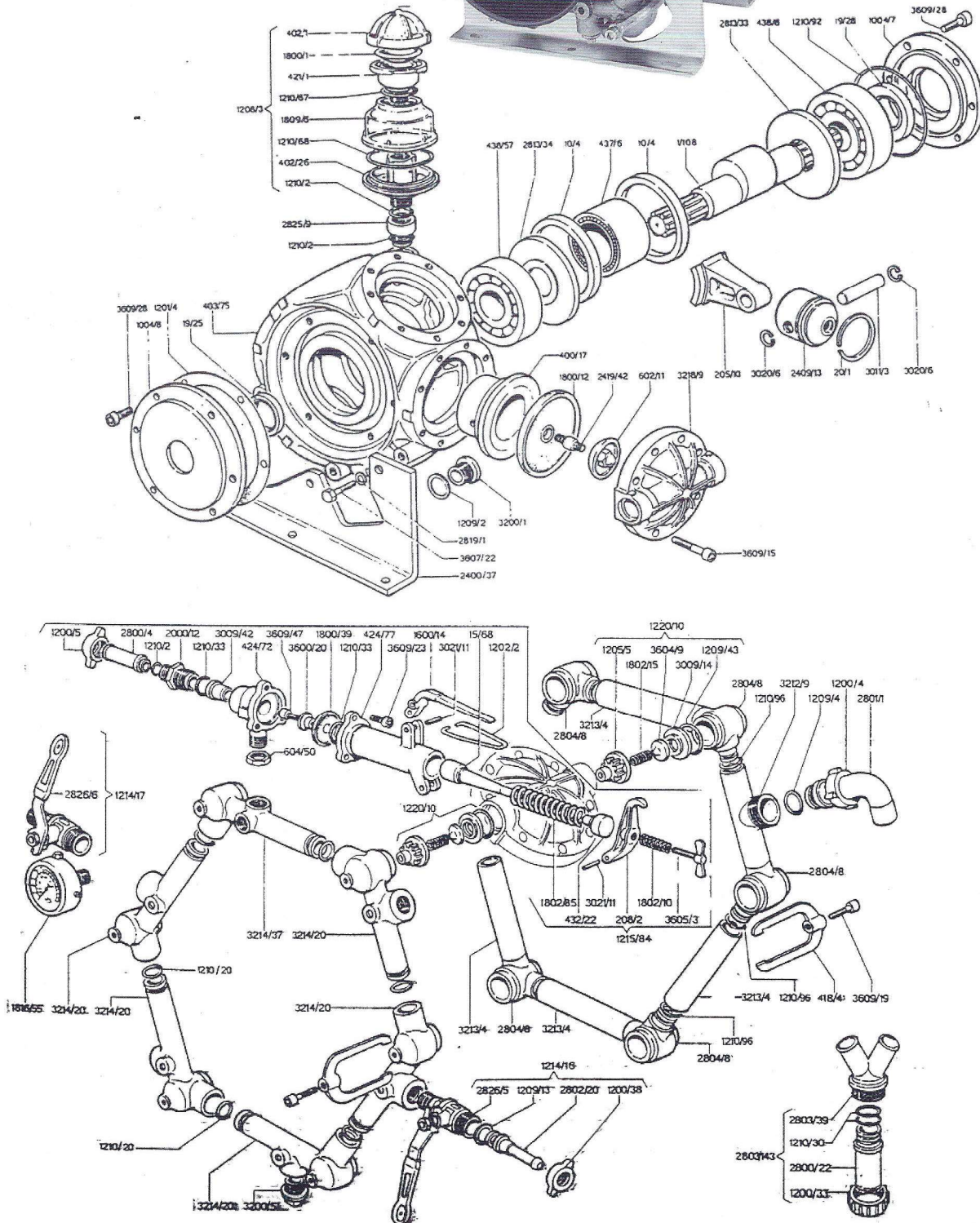
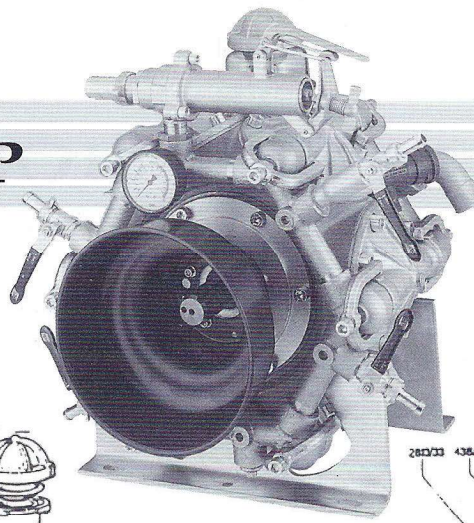
continued on page 36

COMET PUMP MODEL IDS 1400

NEW #	OLD #	DESCRIPTION	QTY	NEW #	OLD #	DESCRIPTION	QTY
3011000300	3011/3	PISTON ROD PIN	4	3607003400	3607/34	BOLT	6
3020000600	3020/6	INNER SNAP RING	8	3607006800	3607/68	BOLT	12
3021001100	3021/11	ROLL PIN	2	3607007000	3607/70	BOLT	8
3200000100	3200/1	PLUG	1	3609001500	3609/15	BOLT	32
3212000600	3212/6	INTAKE TUBE	1	3609001900	3609/19	BOLT	8
3213000200	3213/2	INTAKE TUBE	3	3609002300	3609/23	BOLT	3
3218000900	3218/9	VALVE CHAMBER	4	3609004700	3609/47	S.S. SCREW	1
3600002000	3600/20	REGULATOR VALVE	1	3610000300	3610/3	AIR VALVE ASS'Y.	1
3604000900	3604/9	VALVE PLATE	8	3621000100	3621/1	BOLT	2
3605000500	3605/5	TEE BOLT	1				

COMET PUMP

MODEL IDS 2000



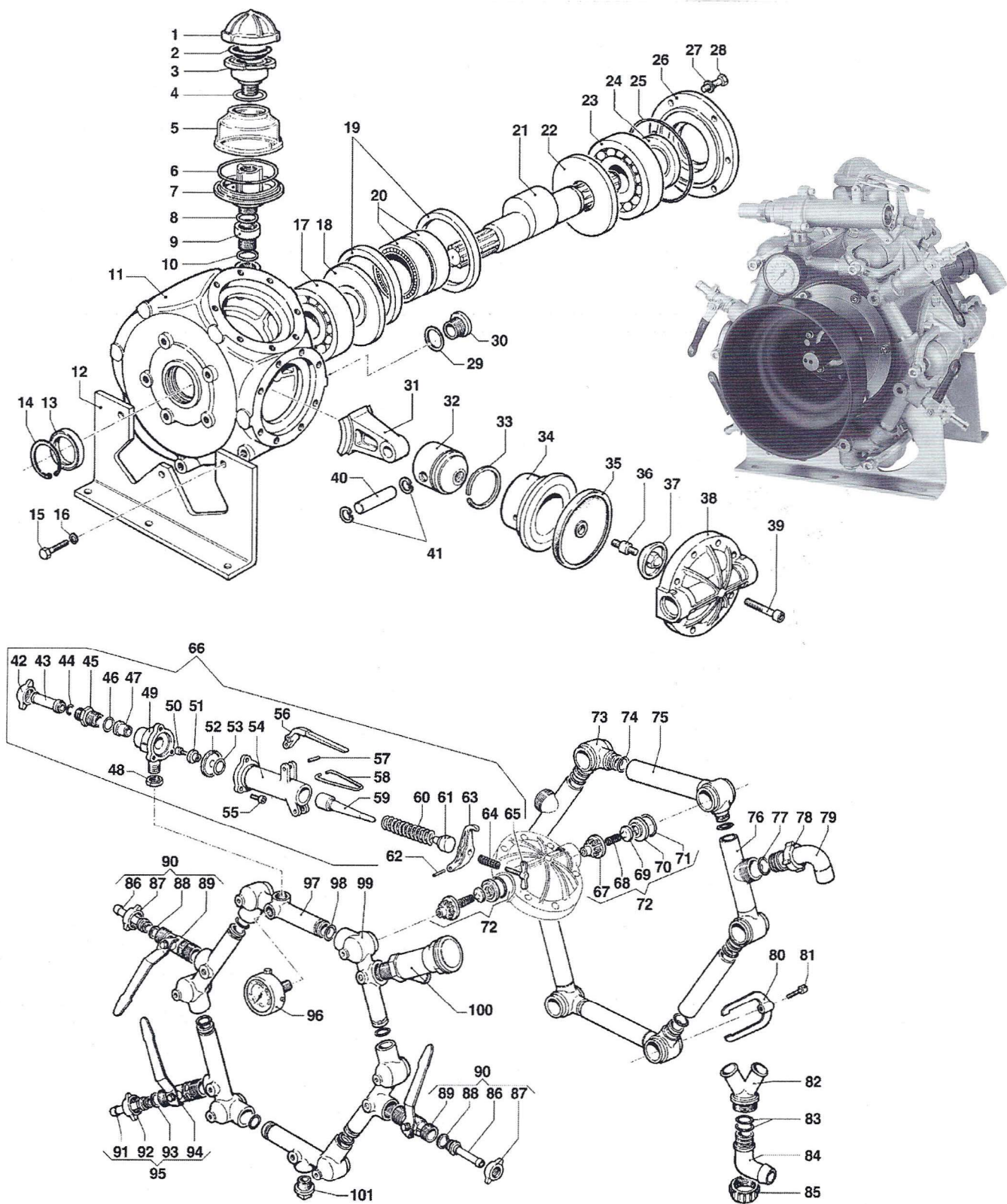
COMET PUMP MODEL IDS 2000

NEW #	OLD #	DESCRIPTION	QTY	NEW #	OLD #	DESCRIPTION	QTY
0001010800	1/108	ECCENTRIC SHAFT	1	1209000400	1209/4	GASKET	2
0010000400	10/4	CONNECTING ROD RING	2	1209001300	1209/13	GASKET	1
0015006800	15/68	ROD	1	1209004300	1209/43	GASKET	12
0019002500	19/25	SHAFT SEAL	1	1210000200	1210/2	O-RING	3
0019002800	19/28	SHAFT SEAL	1	1210002000	1210/20	O-RING	12
0020000100	20/1	COMPRESSION RING	6	1210003000	1210/30	O-RING	2
0205001000	205/10	CONNECTING ROD	6	1210003100	1210/31	O-RING	12
0208000200	208/2	VALVE ARM	1	1210003300	1210/33	O-RING	2
0400001700	400/17	PISTON SLEEVE	6	1210006700	1210/67	O-RING	1
0402000100	402/1	COVER	1	1210006800	1210/68	O-RING	1
0402002600	402/26	COVER	1	1210009200	1210/92	O-RING	1
0403007500	403/75	PUMP CRANKCASE	1	1214001700	1241/17	TAP ASSY.	4
0418000400	418/4	U-CLAMP	12	1215008400	1215/84	REGULATOR VALVE ASS'Y.	1
0421000200	421/2	VOLUME COMPENSATOR	1	1220001000	1220/10	SUCTION/DELIVERY VALVE ASS'Y.	12
0424007200	424/72	BODY	1	1600001400	1600/14	REGULATOR VALVE ASSY.	1
0424007700	424/77	REGULATOR BODY	1	1800000100	1800/1	OIL DIAPHRAGM	1
0432002200	432/22	CAP	1	1800001200	1800/12	DIAPHRAGM	6
0437000600	437/6	ROLLER BEARING	1	1800003900	1800/39	REGULAR DIAPHRAGM	1
0438000800	438/8	BALL BEARING	1	1802001000	1802/10	SPRING	1
0438005700	438/57	BALL BEARING	1	1802001500	1802/15	VALVE SPRING	8
0602001200	602/12	DIAPHRAGM PLATE	6	1802008500	1802/85	REGULATOR SPRING	1
0604005000	604/50	NUT	1	1809000600	1809/6	OIL SIGHT GLASS	1
1004000700	1004/7	FLANGE	1	2000001200	2000/12	REGULATOR NIPPLE	1
1004000800	1004/8	FLANGE	1	2400003700	2400/37	PUMP MOUNTING BRACKET	2
1200000400	1200/4	WINGNUT	2	2409001300	2409/13	PISTON	6
1200000500	1200/5	WINGNUT	1	2419004200	2419/42	STUD BOLT	6
1200003300	1200/33	WINGNUT	1	2800000400	2800/4	HOSE TAIL	1
1200003800	1200/38	WINGNUT	1	2800002200	2800/22	STRAIGHT HOSE TAIL	1
1201000400	1201/4	GASKET	1	2801000100	2801/1	ELBOW	2
1202000200	1202/2	RETAILING CLIP	1	2802000400	2802/4	DELIVERY HOSE TAIL	1
1205000500	1205/5	VALVE CAGE	12	2803003900	2803/39	SUCTION Y FITTING	1
1208000300	1208/3	OIL COMPENSATOR ASS'Y.	1	2803014300	2803/143	SUCTION Y FITTING ASS'Y.	1
1209000200	1209/2	GASKET	1	2804000800	2804/8	SUCTION FITTING	6

COMET PUMP MODEL IDS 2000

NEW #	OLD #	DESCRIPTION	QTY	NEW #	OLD #	DESCRIPTION	QTY
2813003300	2813/33	CONNECTING ROD WASHER	1	3213000400	3213/4	SUCTION TUBE	4
2813003400	2813/34	CONNECTING ROD WASHER	1	3214002000	3214/20	DISCHARGE TUBE	5
2813003300	2813/33	CONNECTING ROD WASHER	1	3214003700	3214/37	DISCHARGE TUBE CONNECTOR	1
2819000100	2819/1	LOCKWASHER	6	3218000900	3218/9	VALVE CHAMBER	6
2825000900	2825/9	REDUCER	1	3600002000	3600/20	REGULATOR VALVE	1
2826000600	2826/6	BALL VALVE	1	3604000900	3604/9	VALVE PLATE	12
3009001400	3009/14	VALVE SEAT	12	3605000500	3605/5	TEE BOLT	1
3009004200	3009/42	SEAT	1	3607002200	3607/22	BOLT	12
3011000300	3011/3	PISTON ROD PIN	6	3609001500	3609/15	BOLT	48
3020000600	3020/6	INNER SNAP RING	12	3609001900	3609/19	BOLT	12
3021001100	3021/11	ROLL PIN	2	3609002300	3609/23	SCREW	3
3200000100	3200/1	PLUG	1	3609002800	3609/28	BOLT	12
3200000500	3200/5	PLUG	1	3609004700	3609/47	STAINLESS STEEL SCREW	1
3212000900	3212/9	SUCTION TUBE CONNECTOR	2				

COMET PUMP MODEL IDS 2200 (OPTION)



COMET PUMP MODEL IDS 2200 (OPTION)

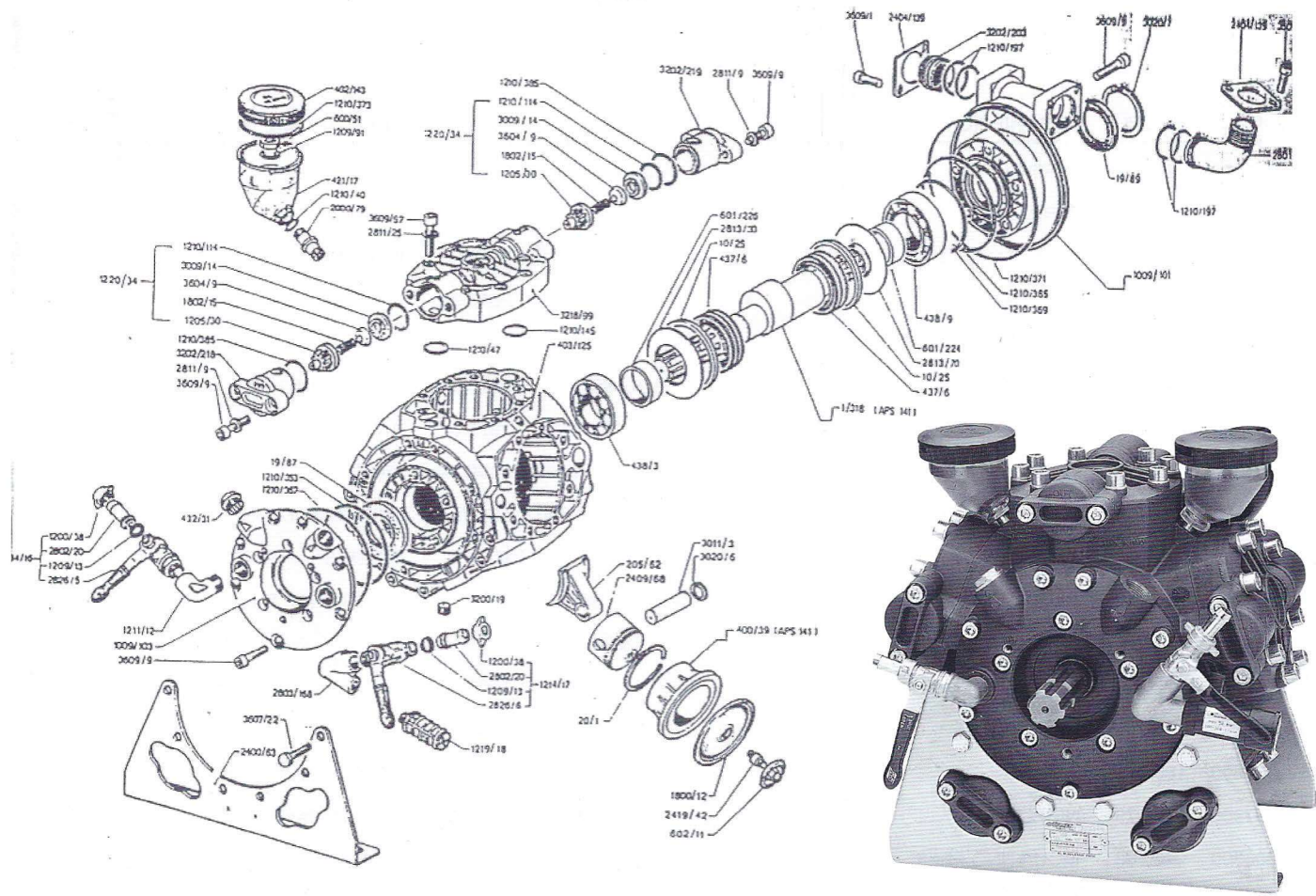
ITEM #	PART #	DESCRIPTION	QTY	ITEM #	PART #	DESCRIPTION	QTY
1	04020001	VOLUM. COMPENSATOR COVER	1	34	04000017	PISTON SLEEVE	6
2	18000001	VOLUM. COMP. DIAPHRAGM	1	35	18000012	DIAPHRAGM	6
3	04210001	VOLUMETRIC COMPENSATOR	1	36	24190042	STUD BOLT	6
4	12100067	OIL BOWL	1	37	06020011	DISC	6
5	18090006	HOLDER	1	38	32180009	PUMP MANIFOLD	6
6	12100068	O-RING	1	39	36090015	SCREW	48
7	04020026	COVER	1	40	30110003	ROD PIN	6
8	12100002	O-RING	1	41	30200006	INNER CIRCLIP	12
9	28250009	M/F REDUCTION	1	42	12000005	WING NUT	1
10	12100002	O-RING	1	43	28000004	STRAIGHT HOSE BY-PASS TAIL	1
11	04030143	PUMP CRANKCASE	1	44	12100002	O-RING	1
12	24000050	PUMP MOUNTING BRACKET	2	45	20000012	NIPPLE	1
13	00190025	OIL SEAL	1	46	12100033	O-RING	1
14	30200011	INNER CIRCLIP	1	47	30090042	PRESSURE VALVE SEAT	1
15	36070220	HEXAGONAL SCREW	6	48	06040050	NUT	1
16	28190001	SPRING WASHER	6	49	04240072	REGULATION VALVE BODY	1
17	04400026	SWINGING BEARING	1	50	36090047	SCREW	1
18	28130077	CONNECTING ROD WASHER	1	51	36000020	PRESSURE VALVE	1
19	00100004	CONNECTING ROD RING	2	52	18000039	REGULATOR VALVE DIAPHRAGM	1
20	04370006	ROLLER BEARING	2	53	12100033	O-RING	1
21	00010108	THROUGHSHAFT	1	54	04240077	REGULATOR VALVE BODY	1
22	28130076	CONNECTING ROD WASHER	1	55	36090157	SCREW	3
23	04380008	BALL BEARING	1	56	16000014	LEVER	1
24	00190028	OIL SEAL	1	57	30210011	ROLL PIN	1
25	12100092	O-RING	1	58	12020002	HOOK	1
26	10040007	FLANGE	1	59	00150068	REGULATOR VALVE ROD	1
27	28110098	WASHER	6	60	18020085	SPRING (WIRE Ø8)	1
28	36070226	HEXAGONAL SCREW	6	61	04320022	SPECIAL CAP	1
29	12090002	GASKET	1	62	30210011	ELASTIC PIN	1
30	32000001	PLUG	1	63	02080002	LEVER	1
31	02050010	CONNECTING ROD ASSEMBLY	1	64	18020010	SPRING (WIRE Ø2)	1
32	24090013	PISTON	6	65	36050003	WING NUT SCREW	1
33	00200001	COMPRESSION RING	6	66	12150084	REGULATION VALVE ASSEMBLY	1

continued on page 42

COMET PUMP MODEL IDS 2200 (OPTION)

ITEM #	PART #	DESCRIPTION	QTY	ITEM #	PART #	DESCRIPTION	QTY
67	12050005	SUCTION / DELIVERY VALVE CAGE	12	85	12000033	WING NUT	1
68	18020015	SPRING (WIRE Ø0.8)	12	86	28020020	DELIVERY HOSE TAIL	2
69	36040009	SUCTION / DELIVERY VALVE	12	87	12000038	WING NUT	2
70	30090123	SUCTION / DELIVERY VALVE SEAT	12	88	12090013	GASKET	2
71	12090043	GASKET	12	89	28260005	LEFT VALVE	2
72	12200010	SUCT. / DELIVERY VALVE KIT	12	90	12140016	COMPLETE LEFT VALVE	2
73	28040008	ELBOW SUCTION COUPLING	6	91	28020020	DELIVERY HOSE TAIL	1
74	12100096	O-RING	12	92	12000038	WING NUT	3
75	32130004	SUCTION HOSE	4	93	12090013	GASKET	1
76	32120036	SUCTION HOSE FOR COUPLING	2	94	28260006	RIGHT TAP	1
77	12090110	GASKET	1	95	12140017	COMPLETE RIGHT VALVE	1
78	12000058	WING NUT	2	96	18160055	PRESSURE GAUGE	1
79	28010071	SUCTION ELBOW TAIL	2	97	32140037	DELIVERY HOSE FOR SAFETY VALVE	1
80	04180004	U-BOLT	12	98	12100020	O-RING	6
81	36090190	SCREW	12	99	32140020	DELIVERY HOSE FOR VALVE	5
82	28030442	"Y" SUCTION COUPLING	1	100	12190035	SAFETY VALVE ASSEMBLY	1
83	12100030	O-RING	2	101	32000011	PLUG	1
84	28010035	SUCTION ELBOW TAIL	1				

COMET PUMP MODEL APS 141



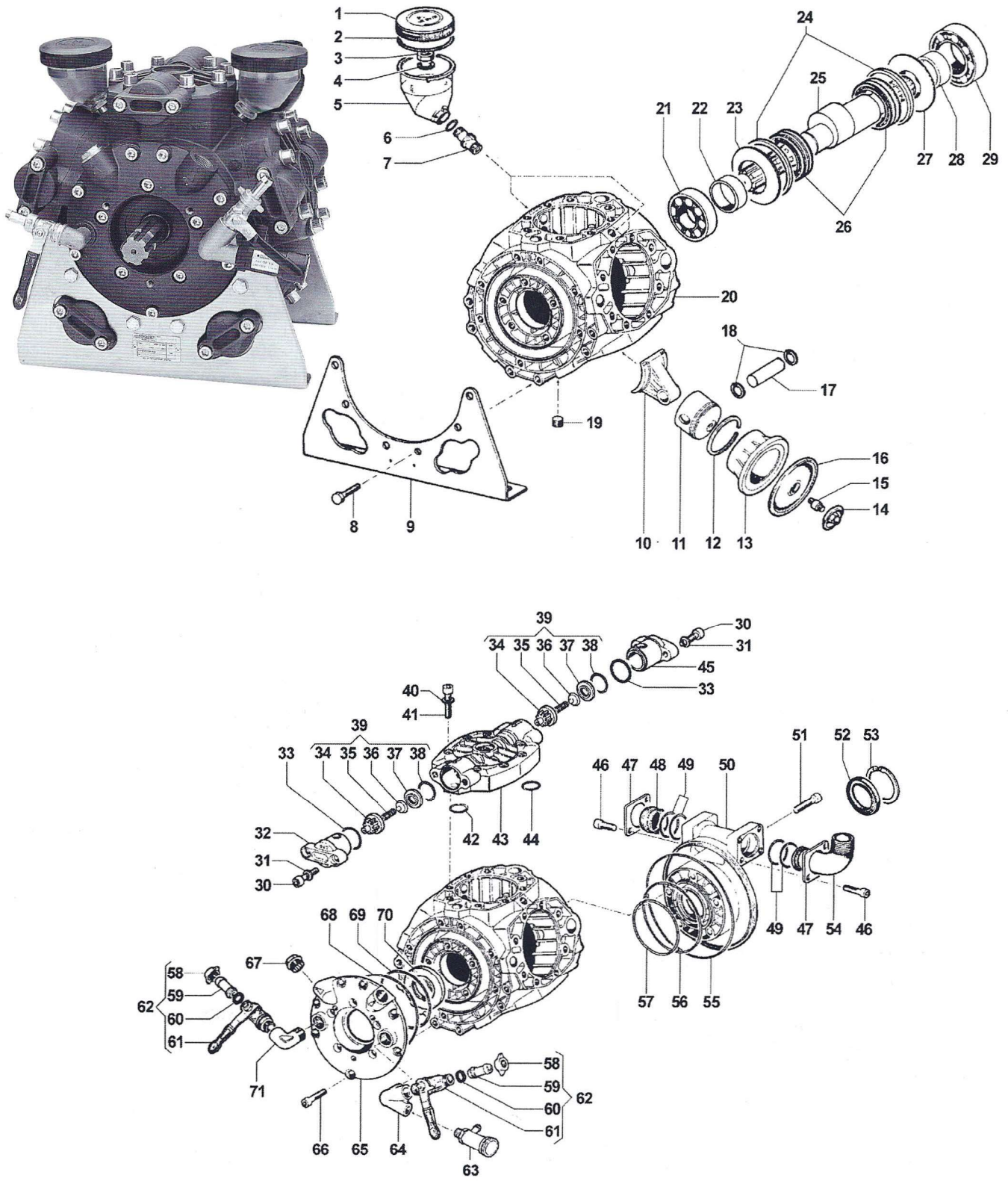
NEW #	OLD #	DESCRIPTION	QTY	NEW #	OLD #	DESCRIPTION	QTY
0001031800	1/318	ECCENTRIC SHAFT	1	0600005100	600/51	SPECIAL NUT	2
0010002500	10/25	CONNECTING ROD RING	2	0601022400	601/224	SPACER	1
0019008700	19/87	SHAFT SEAL	1	0601022600	601/226	SPACER	1
0019008900	19/89	SHAFT SEAL	1	0602001100	602/11	DIAPHRAGM PLATE	5
0020000100	20/1	COMPRESSION RING	5	1009010100	1009/101	FLANGE	1
0205006200	205/62	CONNECTING ROD	1	1009010300	1009/103	FLANGE	1
0400003900	400/39	PISTON SLEEVE	5	1200003800	1200/38	WINGNUT	1
0402014300	402/143	COVER	2	1205003000	1205/30	VALVE CAGE	10
0403012500	403/125	PUMP CRANKCASE	1	1209001300	1209/13	GASKET	2
0421001700	421/17	OIL SIGHT GLASS	2	1209009100	1209/91	GASKET	2
0432003100	432/31	PLUG	1	1210004000	1210/40	O-RING	2
0437000600	437/6	ROLLER BEARING	2	1210004700	1210/47	O-RING	5
0438000300	438/3	BALL BEARING	1	1210011400	1210/114	O-RING	10
0438000900	438/9	BALL BEARING	1	1210014500	1210/145	O-RING	5

continued on page 44

COMET PUMP MODEL APS 141

NEW #	OLD #	DESCRIPTION	QTY	NEW #	OLD #	DESCRIPTION	QTY
1210019700	1210/197	O-RING	4	2803016800	2803/168	HOSE TAIL	1
1210035300	1210/353	O-RING	1	2811000900	2811/9	WASHER	20
1210036500	1210/365	O-RING	1	2811002500	2811/25	WASHER	40
1210036700	1210/367	O-RING	1	2813003000	2813/30	CONNECTING ROD WASHER	1
1210036900	1210/369	O-RING	1	2813007000	2813/70	CONNECTING ROD WASHER	1
1210037100	1210/371	O-RING	1	2826000500	2826/5	BALL VALVE	1
1210037300	1210/373	O-RING	2	2826000600	2826/6	BALL VALVE	1
1210038500	1210/385	O-RING	10	3009001400	3009/14	VALVE SEAT	10
1211001200	1211/12	HOSE TAIL CONNECTOR	1	3011000300	3011/3	PISTON ROD PIN	5
1214001600	1214/16	BALL VALVE	1	3020000600	3020/6	INNER SNAP RING	10
1214001700	1214/17	BALL VALVE	1	3020000700	3020/7	INNER SNAP RING	1
1219001800	1219/18	SAFETY VALVE	1	3200001900	3200/19	PLUG	1
1220003400	1220/34	VALVE ASSEMBLY	10	3202020300	3202/203	CAP	1
1800001200	1800/12	DIAPHRAGM	5	3202021800	3202/218	VALVE CAP	5
1802001500	1802/15	SPRING	10	3202021900	3202/219	VALVE CAP	5
2000007900	2000/79	NIPPLE	2	3218009900	3218/99	VALVE CHAMBER	5
2400006300	2400/63	MOUNTING FEET	2	3604000900	3604/9	VALVE PLATE	10
2404013900	2404/139	PLATE	2	3607002200	3607/22	SCREW	12
2409006800	2409/68	PISTON	5	3609000100	3609/1	SCREW	4
2419004200	2419/42	STUD BOLT	5	3609000900	3609/9	SCREW	37
2801005700	2801/57	ELBOW	1	3609005700	3609/57	SCREW	40
2802002000	2802/20	DELIVERY HOSE TAIL	2				

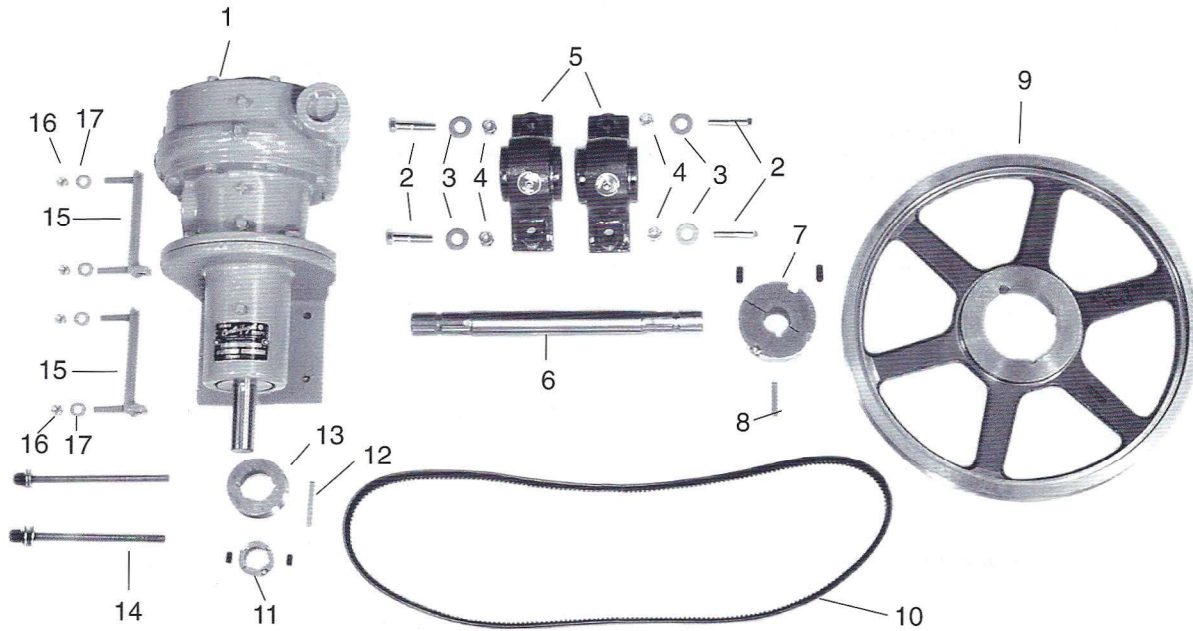
COMET PUMP MODEL APS 166 (OPTION)



COMET PUMP MODEL APS 166 (OPTION)

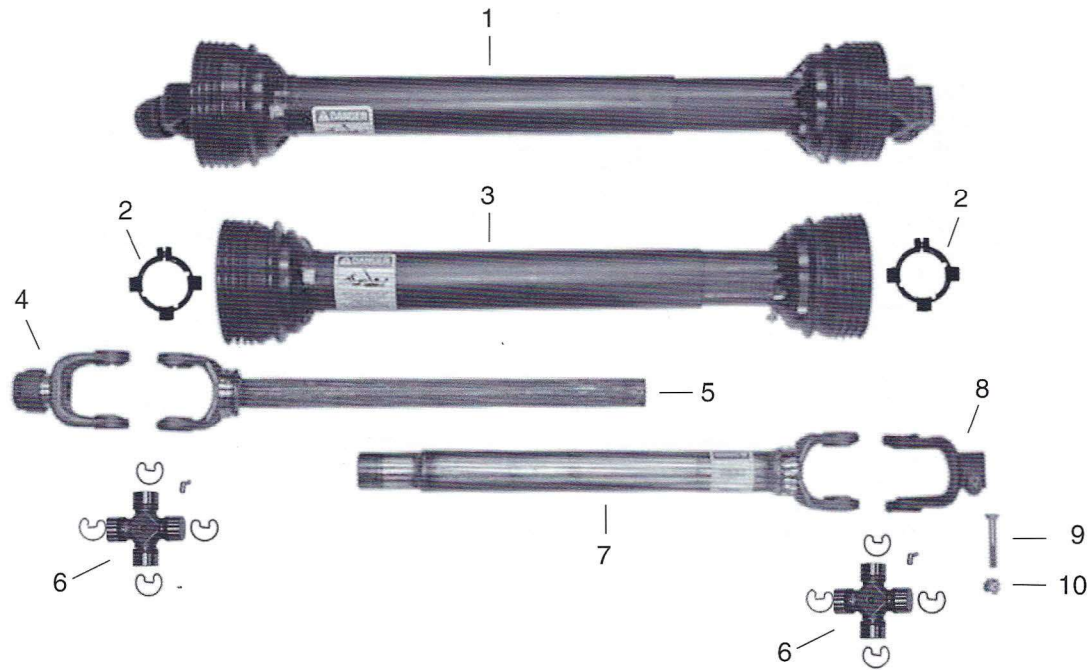
ITEM #	PART #	DESCRIPTION	QTY	ITEM #	PART #	DESCRIPTION	QTY
1	04020143	VOLUM. COMPENSATOR COVER	2	37	30090014	SUCTION/DELIVERY VALVE SEAT	10
2	12100373	O-RING	2	38	12100114	O-RING	10
3	06000051	FITTING	2	39	12200034	SUCT./DELIVERY VALVE ASS'Y. KIT	10
4	12090091	GASKET	2	40	28110025	WASHER	40
5	04210017	VOLUMETRIC COMPENSATOR	2	41	36090057	SCREW	40
6	12100040	O-RING	2	42	12100047	O-RING	5
7	20000079	NIPPLE	2	43	32180099	PUMP MANIFOLD	5
8	36070220	HEXAGONAL SCREW	12	44	12100145	O-RING	5
9	24000063	PUMP MOUNTING BRACKET	2	45	32020219	PLUG	5
10	02050062	CONNECTING ROD ASSEMBLY	1	46	36090164	SCREW	4
11	24090068	PISTON	5	47	24040139	HOSE TAIL FIXING PLATE	2
12	00200001	COMPRESSION RING	5	48	32020203	PLUG	1
13	04000070	PISTON SLEEVE	5	49	12100197	O-RING	4
14	06020011	DISC	5	50	10090101	FLANGE	1
15	24190042	STUD BOLT	5	51	36090009	SCREW	5
16	18000012	DIAPHRAGM	5	52	00190089	OIL SEAL	1
17	30110003	ROD PIN	5	53	30200007	INNER CIRCLIP	1
18	30200006	INNER CIRCLIP	10	54	28010057	ELBOW COUPLING	1
19	32000019	PLUG	1	55	12100371	O-RING	1
20	04030125	PUMP CRANKCASE	1	56	12100365	O-RING	1
21	04380003	BALL BEARING	1	57	12100369	O-RING	1
22	06010226	SPACER	1	58	12000038	WING NUT	2
23	28130030	CONNECTING ROD WASHER	1	59	28020020	DELIVERY HOSE TAIL	2
24	00100025	CONNECTING ROD RING	2	60	12090013	GASKET	2
25	00010313	THROUGHSHAFT	1	61	28260031	VALVE	2
26	04370006	ROLLER BEARING	2	62	12140016	VALVE ASSEMBLY	2
27	28130070	CONNECTING ROD WASHER	1	63	12190035	SAFETY VALVE ASSEMBLY	1
28	06010224	SPACER	1	64	28030355	"Y" COUPLING	1
29	04380009	BALL BEARING	1	65	10090103	FLANGE	1
30	36090009	SCREW	20	66	36090009	SCREW	12
31	28110098	WASHER	20	67	04320031	PLUG	1
32	32020218	PLUG	5	68	12100426	O-RING	1
33	12100385	O-RING	10	69	12100353	O-RING	1
34	12050030	SUCTION/DELIVERY VALVE CAGE	10	70	00190087	OIL SEAL	1
35	18020015	SPRING (WIRE Ø0.8)	10	71	12110012	ELBOW	1
36	36040009	SUCTION/DELIVERY VALVE	10				

MYERS PUMP DRIVE ASSEMBLY



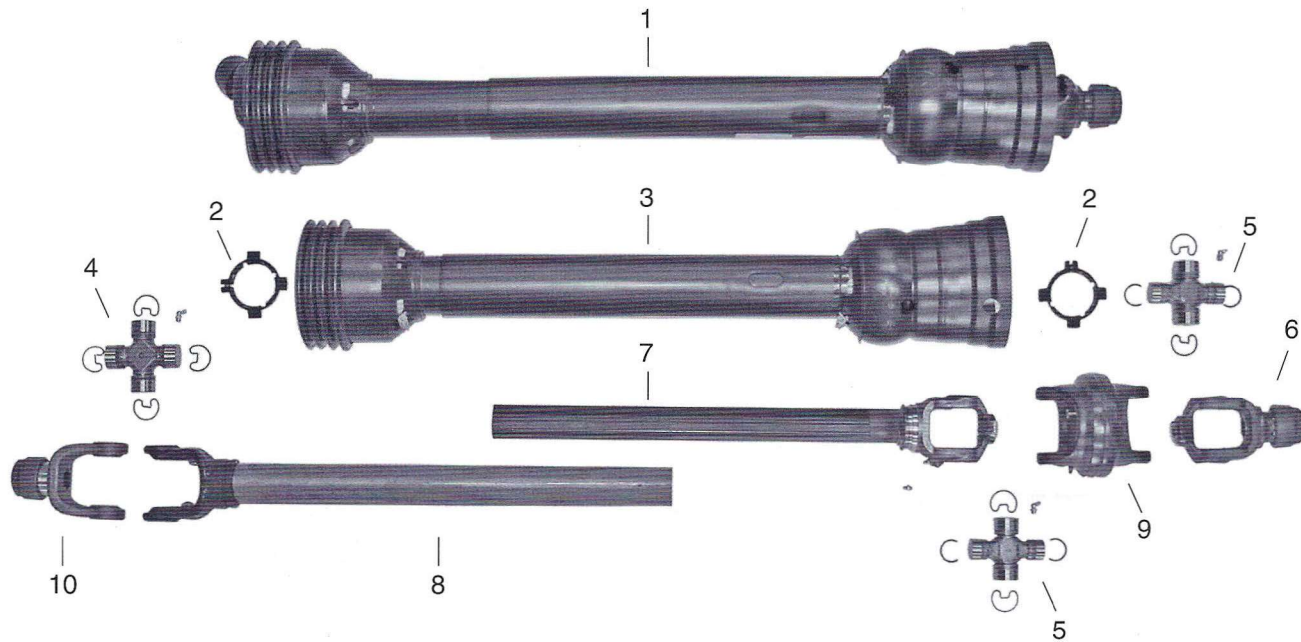
ITEM #	PART #	DESCRIPTION	QTY	ITEM #	PART #	DESCRIPTION	QTY
1	7146	CENTRIFUGAL PUMP, I2C95 MYERS	1	9	6122	3 GR 3V19.0 T.L. SHEAVE	1
2	2340	5/8" X 2 3/4" PLATED CAP SCREW	4	10	1327	3 GR 3VX670 BELT	1
3	2330	5/8" PLATED FLAT WASHER	4	11	6123	1210 X 1 1/4" T.L. BUSHING (INCLUDES 2 SET SCREWS)	1
4	2333	5/8" PLATED NYLON LOCK NUT	4	12	6123A	5/16" X 1 1/4" SQ. KEYSTOCK	1
5	6102	TYPE E 1 1/2" PILLOW BLOCK BEARING	2	13	6109	3 GR 3V 3.15 T.L. SHEAVE	1
6	6100	PTO JACK SHAFT 1 1/2" X 16" W/ 1 3/8" 6 SPLINE BOTH ENDS	1	14	6125	PUMP BELT TENSION BOLTS (MFG)	2
7	6121	3020 X 1 1/2" T.L. BUSHING (INCLUDES 2 SET SCREWS)	1	15	6124	PUMP BELT TENSION MOUNT PLATE	2
8	6121A	3/8" X 1 1/4" SQ. KEYSTOCK	1	16	2253	3/8" PLATED NYLON LOCK NUT	4
				17	2250	3/8" PLATED FLAT WASHER	4

WEASLER 55 SERIES PTO SHAFT (AIR-O-FAN "DK" HITCH MODEL)



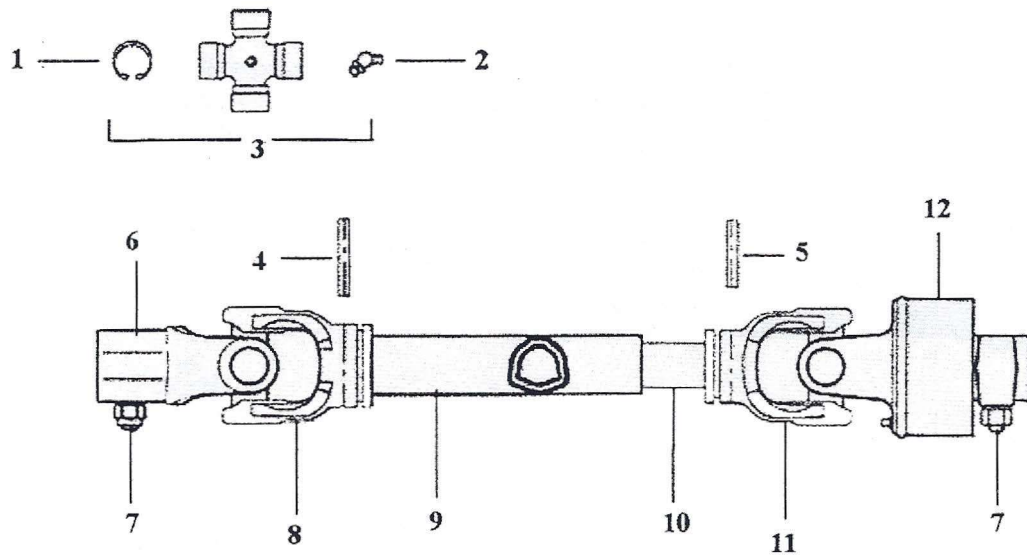
ITEM #	PART #	DESCRIPTION	QTY	ITEM #	PART #	DESCRIPTION	QTY
1	5675	COMPLETE PTO SHAFT	1	6	03-15307	CROSS KIT	2
2	19-15121	GUARD BEARING RETAINER KIT	2	7	98-23517	YOKE AND TUBE	1
3	90-23517	COMPLETE GUARD ASSEMBLY	1	8	55053-1000	SPLINED YOKE	1
4	55011-1000	QD YOKE	1	9	2305	1/2" NC X 3" GRADE 8 BOLT	1
5	99-23517	YOKE AND SPLINED SHAFT	1	10	2294	1/2" NC FLANGE NUT	1

WEASLER CONSTANT VELOCITY PTO SHAFT (2-POINT HITCH MODELS)



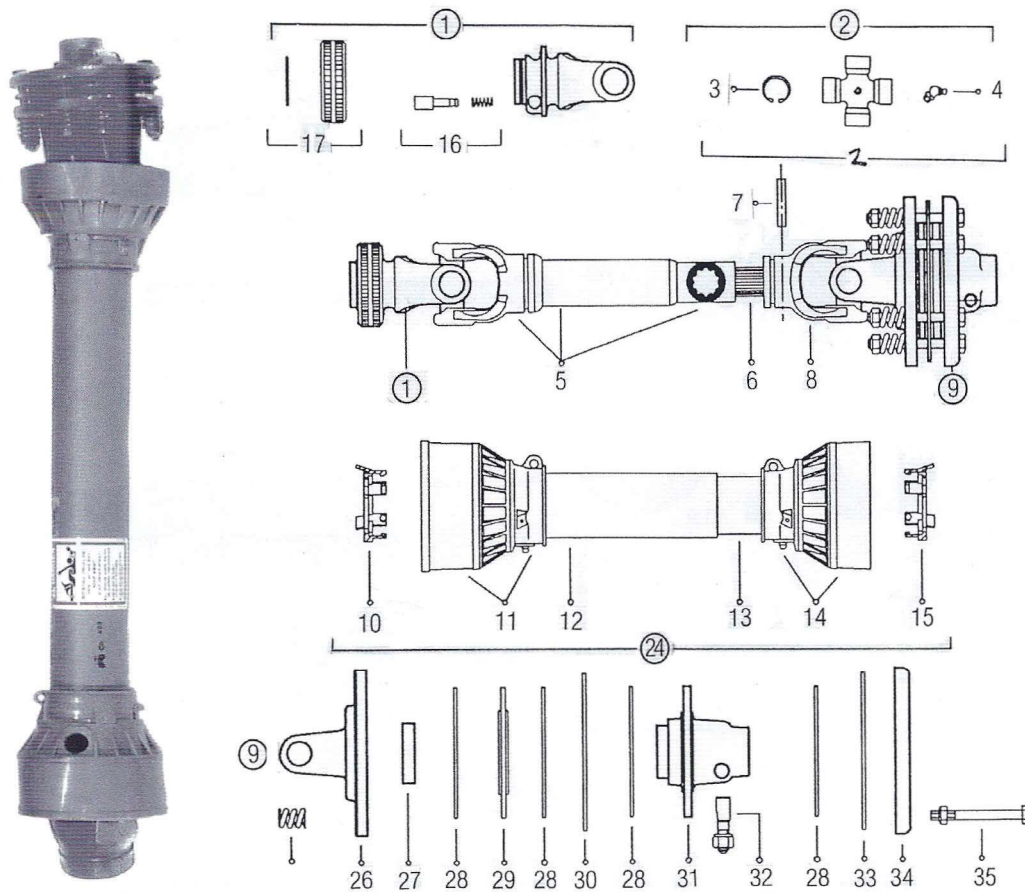
ITEM #	PART #	DESCRIPTION	QTY	ITEM #	PART #	DESCRIPTION	QTY
1	5676	COMPLETE PTO SHAFT	1	6	55011-1828	QD YOKE	1
2	19-15121	GUARD BEARING RETAINER	2	7	98-23329	INNER YOKE AND TUBE	1
3	90-23329	COMPLETE GUARD (INCL. BEARING RETAINERS)	1	8	99-23329	CV SIDE OUTER YOKE AND TUBE	1
4	03-15307	CROSS KIT	1	9	26-15143	CV BODY	1
5	03-15211	CV BODY CROSS KIT	2	10	55231-1812	CV JOINT, QD, YOKE	1

SIZE 6/7 DRIVELINE WITH RUN DOWN CLUTCH



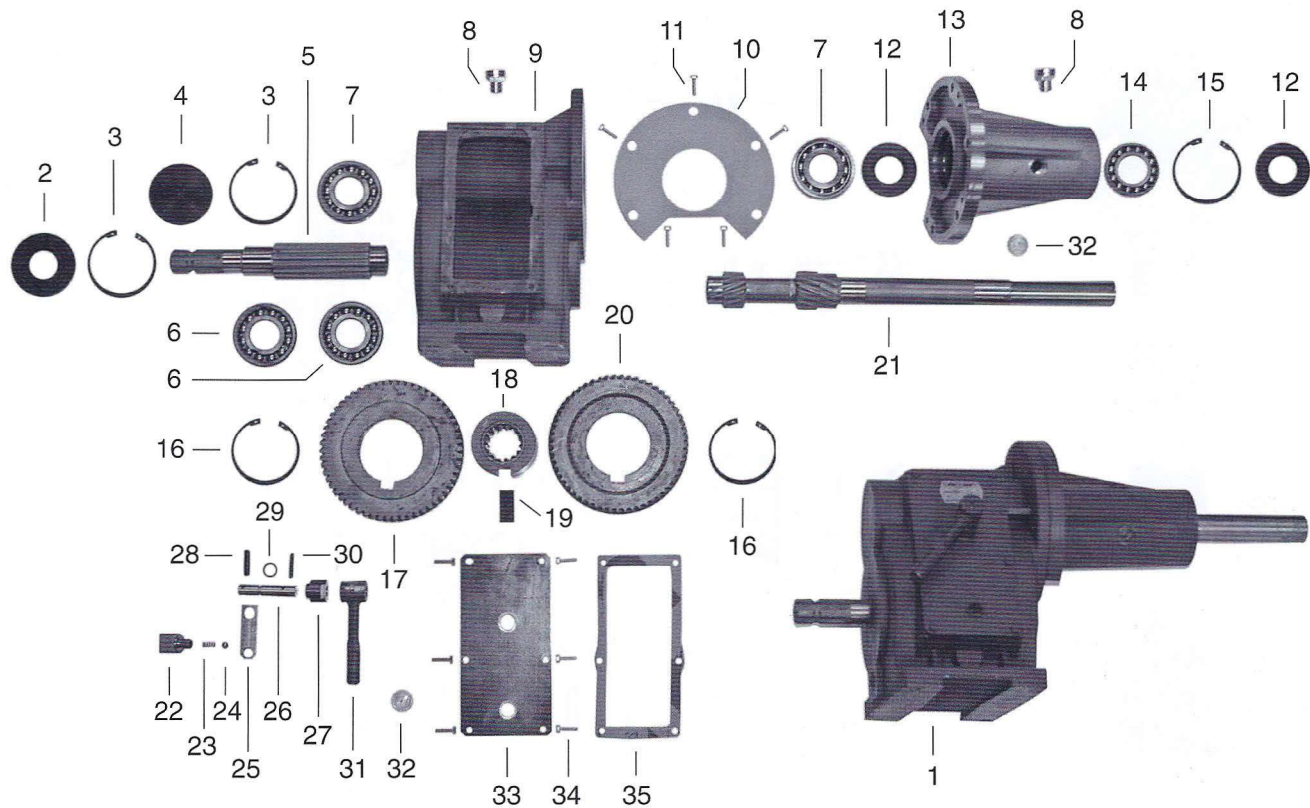
ITEM #	PART #	DESCRIPTION	QTY	ITEM #	PART #	DESCRIPTION	QTY
1	338020000	CIRCLIP	8	7	408000060	TAPERED PIN	2
2	348004000	GREASE ZERK	2	8	204066851	OUTER TUBE YOKE	1
3	41206	CROSS KIT	2	9	225211506	OUTER TUBE	1
4	341042000	ROLL PIN	1	10	225181506	INNER TUBE	1
5	34104300	ROLL PIN	1	11	204066852	INNER TUBE YOKE	1
6	509060361	YOKE	1	12	601206201	RA2/6 CLUTCH ASSEMBLY	1

BONDIOLI & PAVESI (OLD STYLE) SIZE 8 400 SERIES SHAFT W/ FF3 CLUTCH ASSY.



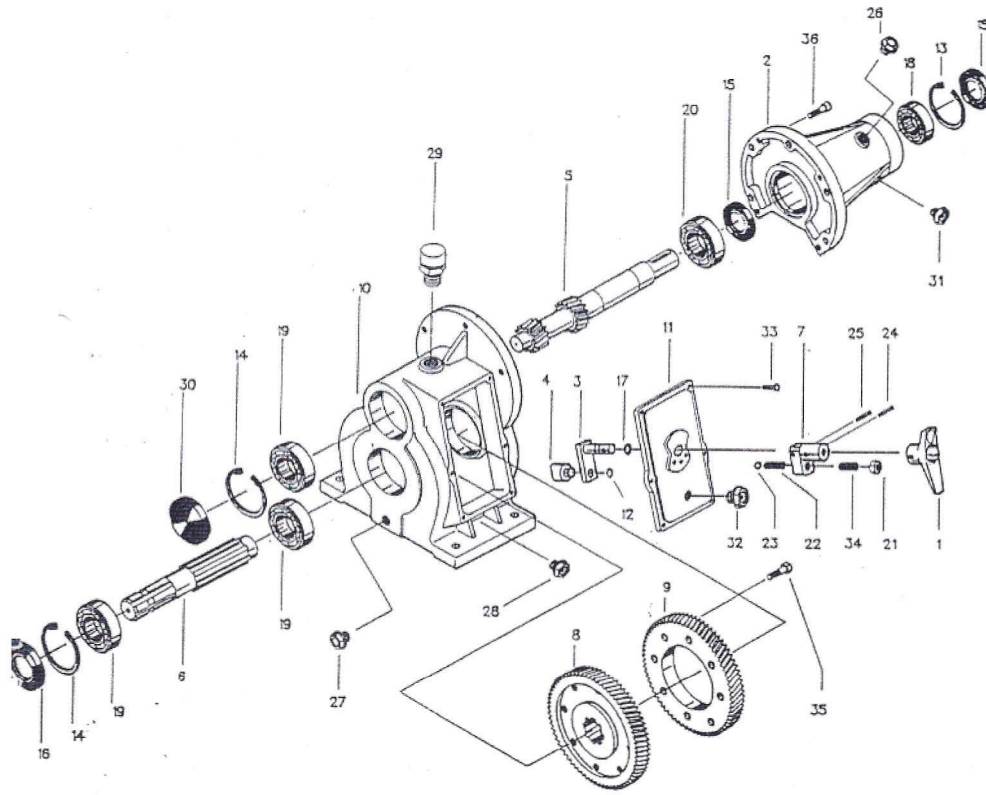
ITEM #	PART #	DESCRIPTION	QTY	ITEM #	PART #	DESCRIPTION	QTY
1	572080351	QD YOKE	1	16	403000001	PUSH PIN KIT	1
2	41208	CROSS KIT	2	17	240080061	QD HUB	1
3	338023000	CIRCLIP	8	24	5F08086F6	SAFETY SHIELD COMPLETE	1
4	348004000	GREASE ZERK	2	25	351022370	SPRING	8
5	569880740	YOKE AND TUBE	1	26	253082201	FLANGED YOKE	1
6	249210710	SPLINED SHAFT	1	27	258005320	STEEL BUSHING	1
7	345002000	ROLL PIN	1	28	247000054	FRICTION DISC	4
8	204083460	SPLINED YOKE	1	29	248220001	LINING SUPPORT	1
9	641354003	FF3 CLUTCH ASSY.	1	30	248220008	INNER PLATE	1
10	255080005	OUTER TUBE RETAINER	1	31	515220311	HUB	1
11	517080005	OUTER CONE	1	32	408000009	BOLT, NUT, WASHER	2
12	236850602	OUTER SAFETY TUBE	1	33	248220008	INNER PLATE	1
13	236840602	INNER SAFETY TUBE	1	34	248220007	PRESSURE PLATE	1
14	517080067	INNER CONE	1	35	432000007	NUT & BOLT	8
15	255080006	INNER TUBE RETAINER	1				

HUB CITY M-55 GEARBOX "GREY IN COLOR" (NEW STYLE)



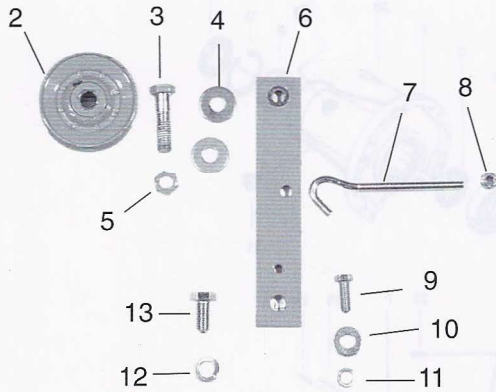
ITEM #	PART #	DESCRIPTION	QTY	ITEM #	PART #	DESCRIPTION	QTY
1	H.C. 55 GEARBOX COMPLETE	GEARBOX	1	19	8471705199	KEY 3/4" x 1 1/4"	1
2	8050.464.000	SEAL 40 X 90 X 10	1	20	0225-17452	GEAR 57 TOOTH	1
3	8025.627.000	CIRCLIP	1	21	0225-17563	POWER SHAFT	1
4	8050.460.000	SEAL PLUG 90 X 12	1	22	0225-17565	SHIFT FINGER	1
5	0225.17564	INPUT SHAFT	1	23	8546610035	DETENT SPRING	1
6	8200.268.101	BEARING 308	2	24	8548910003	DETENT BALL	1
7	8200.269.001	BEARING 7308	2	25	0225-17456	SHIFT ARM	1
8	8631271015	FILL / VENT PLUG	2	26	0225-17566	SHIFT ROD	1
9	0225.17561	GEAR HOUSING	1	27	0225-17454	BUSHING	1
10	8675.367.000	BOLT	5	28	8471716006	ROLL PIN	1
11	M5515	GASKET	1	29	8748009008	O-RING	1
12	8050.460.000	SEAL 40 X 80 X 10	2	30	8471716007	ROLL PIN	1
13	0225-17562	EXTENTION HOUSING	1	31	0223-01445	HANDLE	1
14	8200.266.501	BEARING 2208	1	32	863191023	CLEAR SIGHT PLUG	2
15	8025.580.000	CIRCLIP	1	33	0225-17560	SIDE COVER	1
16	8471786248	CIRCLIP	2	34	8471404078	BOLT 1/4" NC X 5/8"	6
17	0225-17451	GEAR 58 TOOTH	1	35	M5558	GASKET	1
18	0225-17453	GEAR SLEEVE	1				

BIMA M55 GEARBOX (OLD STYLE)

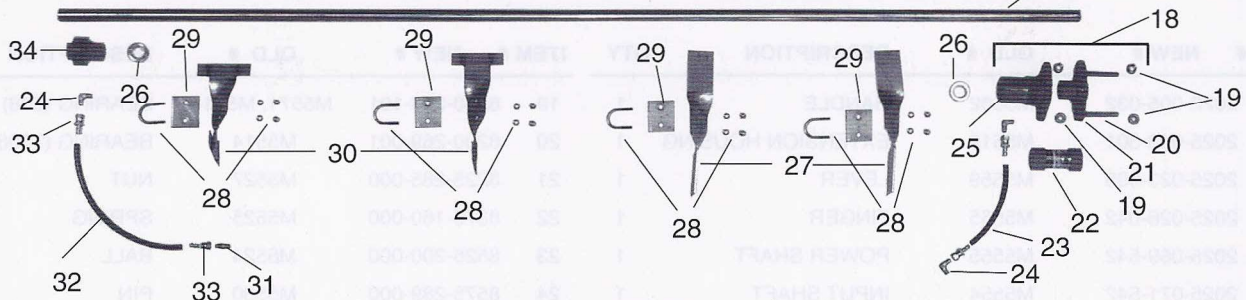
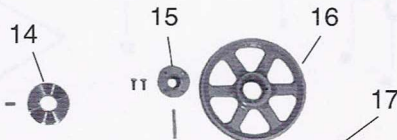
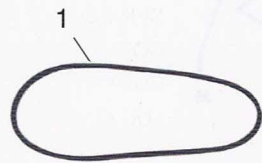


ITEM #	NEW #	OLD #	DESCRIPTION	QTY	ITEM #	NEW #	OLD #	DESCRIPTION	QTY
1	2022-005-032	M5562	HANDLE	1	19	8200-268-101	M5571, M5514	BEARING (308)	3
2	2025-003-301	M5519	EXTENSION HOUSING	1	20	8200-269-001	M5514	BEARING (7308)	1
3	2025-023-098	M5559	LEVER	1	21	8225-285-000	M5527	NUT	1
4	2025-026-042	M5565	FINGER	1	22	8375-160-000	M5525	SPRING	1
5	2025-069-542	M5555	POWER SHAFT	1	23	8525-200-000	M5524	BALL	1
6	2025-071-542	M5554	INPUT SHAFT	1	24	8575-289-000	M5560	PIN	1
7	2025-108-098	-----	LEVER	1	25	8575-335-000	-----	PIN	1
8	2025-117-426	M5566	GEAR	1	26	8600-136-000	M5518	SIGHT PLUG	1
9	2025-120-426	M5567	GEAR	1	27	8600-143-000	M5552	OIL PLUG	1
10	2025-121-101	M5556	GEAR HOUSING	1	28	8600-144-000	M5535	OIL PLUG	1
11	2025-144-201	M5564	SIDE PLATE	1	29	3730-180-000	M5557	OIL VENT CHECK VALVE	1
12	8025-162-000	-----	CIRCLIP	1	30	8600-850-000	-----	OIL SEAL CAP (90X12)	1
13	8025-580-000	M5521	CIRCLIP	1	31	8625-136-000	-----	OIL PLUG	1
14	8025-627-000	-----	CIRCLIP	2	32	8625-181-000	-----	OIL PLUG	1
15	8050-460-000	M5517, M5522	OIL SEAL (40X80X10)	2	33	8675-067-080	M5563	SCREW	6
16	8050-464-000	-----	OIL SEAL (40X90X10)	1	34	8675-279-000	-----	SCREW	1
17	8075-129-000	M5561	O-RING	1	35	8675-284-080	M5551	SCREW	8
18	8200-266-501	M5520	BEARING (2208)	1	36	8675-367-000	M5516	SCREW	5

AGITATOR ASSEMBLY



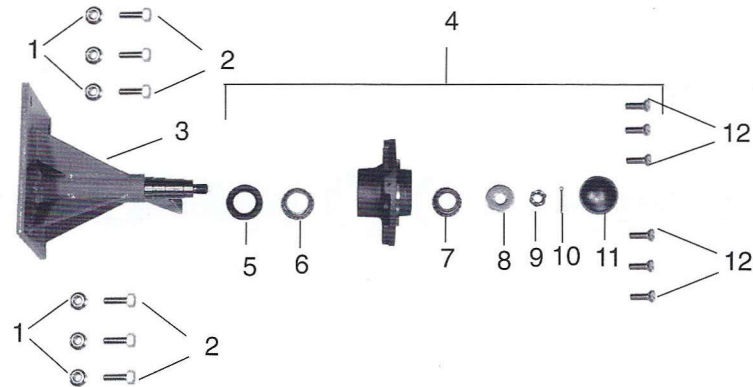
ITEM #	PART #	DESCRIPTION	QTY
1	5126	A43 BELT	1
2	5135	IDLER PULLEY (AG2321A)	1
3	2300	1/2" X 2" PLATED CAP SCREW	1
4	2290	1/2" PLATED FLAT WASHER	2
5	2293	1/2" PLATED NYLON LOCKNUT	1
6	5131	PIVOT BAR	1
7	5133	BELT TENSION HOOK BOLT	1
8	2253	3/8" PLATED NYLON LOCKNUT	1
9	2257	3/8" X 1 1/4" PLATED CAP SCREW	1
10	2250	3/8" PLATED FLAT WASHER	1
11	2251	3/8" PLATED LOCK WASHER	1
12	2291	1/2" PLATED LOCK WASHER	1
13	2296	1/2" X 1" PLATED CAP SCREW	1



ITEM #	PART #	DESCRIPTION	QTY
14	5165	AGITATOR SHEAVE (INCLUDES 1 SET SCREW)	1
15	7723	H X 1" BUSHING (INCLUDES 2 SET SCREWS)	1
16	5125	AK84H AGITATOR SHEAVE	1
17	5153	81" AGITATOR SHAFT (500 GAL STD. & REV.)	1
	7728	89 1/2" AGITATOR SHAFT (600 GAL STD.)	1
	5157	88" AGITATOR SHAFT (600 GAL. REV.)	1
18	1511A	PACKING GLAND ASSY.	1
19	2293	1/2" PLATED HEX NUT PACKING GLAND	4
20	2386	1/2" X 2 1/2" PLATED STUD	2
21	1547A	PACKING GLAND SLEEVE	1
22	1555	PACKING GLAND SEAL KIT	1

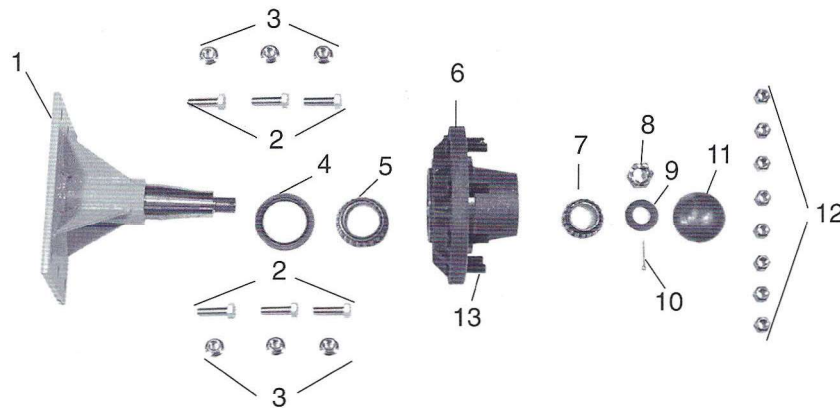
ITEM #	PART #	DESCRIPTION	QTY
23	5852	GREASE HOSE 1/4" X 10 3/4" RED	1
(option)	5180	3/16" X 10" STEEL BRAIDED GREASE LINE	2
24	7733	ELBOW FITTING BRASS (149F-4-2)	3
25	1511B	STUFFING BOX, PACKING GLAND	1
26	1552	1" SET COLLAR PLATED	2
27	5145	REAR AGITATOR PADDLE	2
28	5149	SS UBOLT W. WASHERS & NUTS	4
29	5146	AGITATOR PADDLE SPACER	4
30	5150	FRONT AGITATOR PADDLE	2
31	7734	STRAIGHT BRASS FITTING (48F-4-2)	1
32	5852	GREASE HOSE 1/4" X 12 1/2" RED.	1
33	5036	FITTING, BRASS (30682-4-4B)	4
34	1503A	AGITATOR GLAND, BRASS	1

Q888 STD. SPINDLE & HUB ASSEMBLY



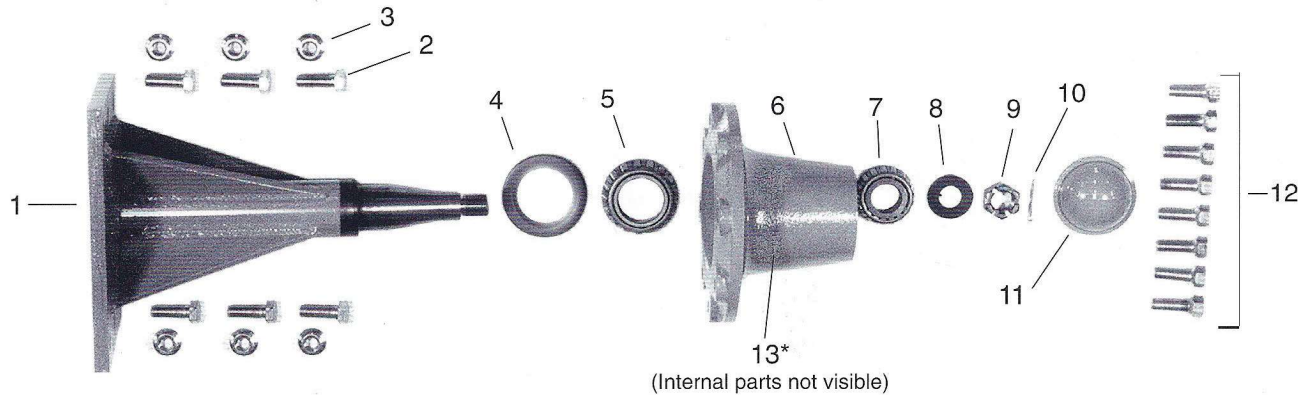
ITEM #	PART #	DESCRIPTION	QTY	ITEM #	PART #	DESCRIPTION	QTY
1	2294	1/2" FLANGE NUT PLATED	12	7	2112	OUTER BEARING (LM67048)	2
2	2300	1/2" X 2" CAP SCREW	12	7A	2112-B-1	OUTER BEARING RACE (LM67010) (NOT SHOWN)	2
3	5875	SPINDLE & PLATE ASSEMBLY Q888 13.5" GB-34, (500 GALLON)	2	8	2113	SPINDLE WASHER	2
4	2809B	HUB COMPLETE Q888	2	9	2114	SPINDLE NUT	2
5	2110A	WHEEL SEAL (16289)	2	10	2115	COTTER PIN	2
6	2111B	INNER BEARING (JL69349)	2	11	2116	DUST CAP	2
6A	2111B-1	INNER BEARING RACE (JL69310) (NOT SHOWN)	2	12	5878	LUG BOLTS	12

608200-8 SPINDLE & HUB ASSEMBLY (FOR INDENTED TANK SPRAYER)



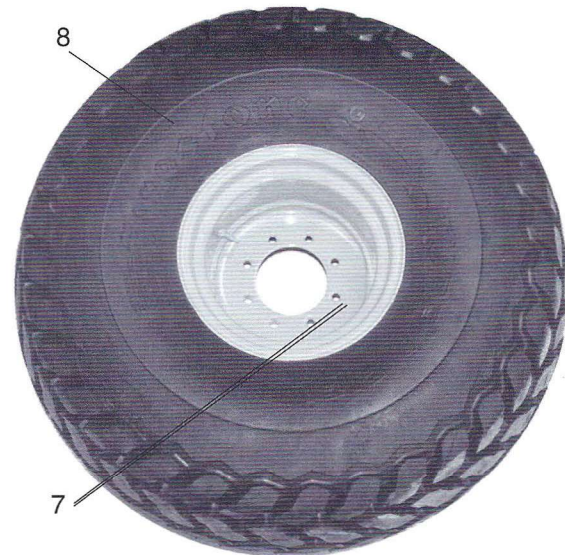
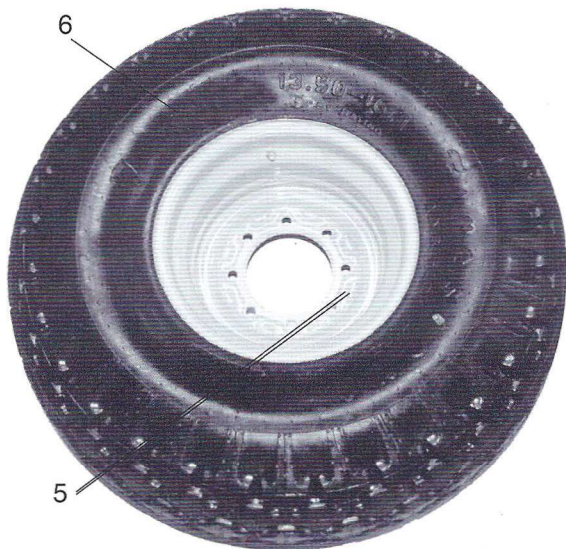
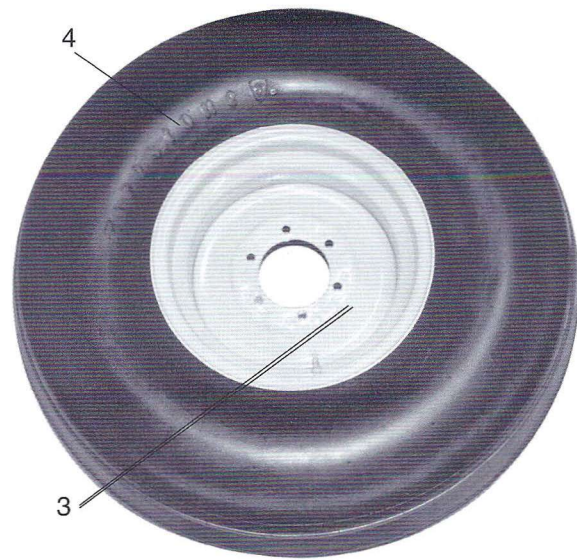
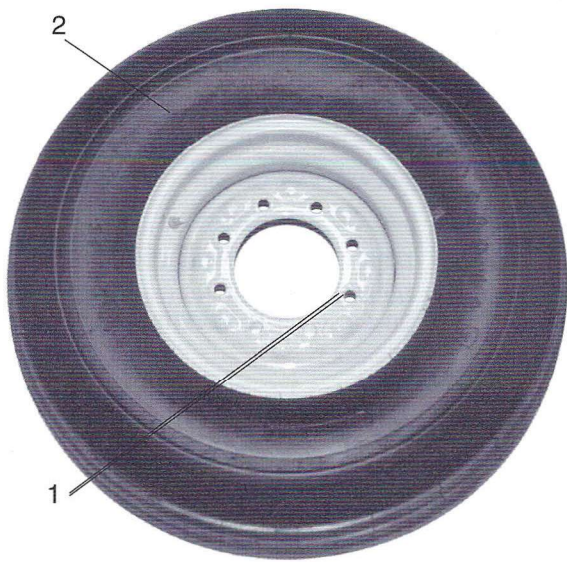
ITEM #	PART #	DESCRIPTION	QTY	ITEM #	PART #	DESCRIPTION	QTY
1	5970	SPINDLE & PLATE ASSEMBLY 608200-8	2	7	7744	OUTER BEARING (LM501349)	2
2	2300	1/2" X 2" CAP SCREW	12	7A	7744A	OUTER BEARING RACE (LM501310) (NOT SHOWN)	2
3	2294	FLANGE NUT, 1/2" PLATED	12	8	5894	SPINDLE NUT	2
4	5972	WHEEL SEAL (27394)	2	9	5893	SPINDLE WASHER	2
5	5973	INNER BEARING (JLM506849)	2	10	5895	COTTER PIN	2
5A	5974	INNER BEARING RACE (JLM506810) (NOT SHOWN)	2	11	7745	DUST CAP	2
6	5971	HUB COMPLETE 608200-8	2	12	7746A	LUG NUTS	16
				13	7746	LUG BOLTS	16

Q821 SPINDLE & HUB ASSEMBLY



ITEM #	PART #	DESCRIPTION	QTY	ITEM #	PART #	DESCRIPTION	QTY
1	5885	Q821-15" SPINDLE PLATE ASSY. (600 GAL.)	2	7	5891	OUTER BEARING (2790)	2
	5885A	Q821-13 1/2" SPINDLE & PLATE ASSY. (500 GAL.)	2	8	5893	SPINDLE WASHER	2
2	2337	BOLT, SPINDLE PLATE 5/8 X 1 3/4" GR.5	12	9	5894	SPINDLE NUT	2
3	2334	SPINDLE PLATE NUT FLANGE 5/8"	12	10	5895	COTTER PIN	2
4	5886	WHEEL SEAL (25091)	2	11	5896	DUST CAP	2
5	5887	INNER BEARING (3780)	2	12	5890	LUG BOLT	16
6	5889	Q821 HUB ASSEMBLY	2	13*	5888	INNER BEARING RACE (3720)	2
					5892	OUTER BEARING RACE (2720)	2

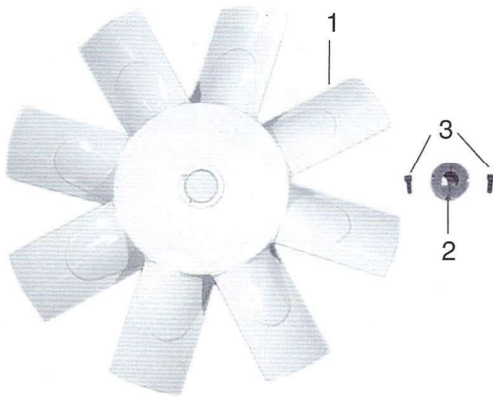
TIRE & WHEEL ASSEMBLY



ITEM #	PART #	DESCRIPTION	QTY
1	5975	8 ON 8 WHEEL 15 X 8 (INDENTED TANK OPTION)	2
2	5976	8-PLY TIRE 10.00 X 15 (INDENTED TANK OPTION)	2
3	2107	6 ON 6 WHEEL 16 X 10 (GB-34R MODEL)	2
4	5977	8-PLY TIRE 14L X 16.1 (GB-34R MODEL)	2

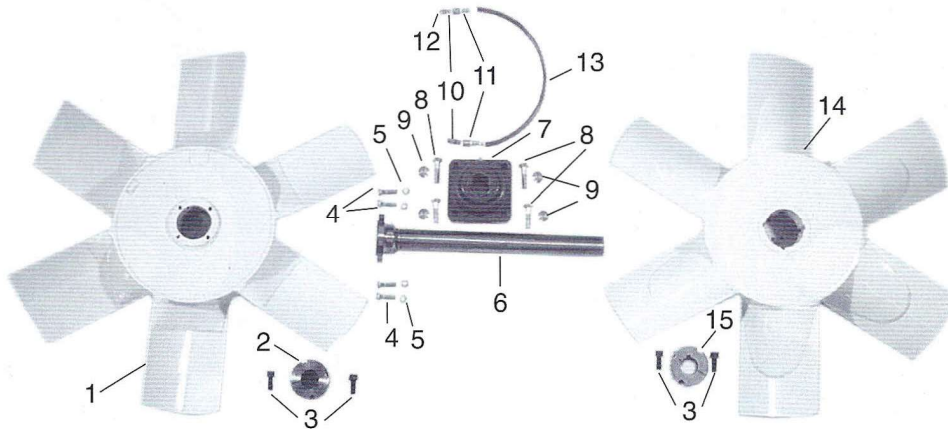
ITEM #	PART #	DESCRIPTION	QTY
5	5897	8 ON 8 WHEEL 16.1 X 11 (GB-36R & GB2/32 MODEL)	2
6	5898	8-PLY TIRE 13.50 X 16.1 (GB-36R & GB2/32 MODEL)	2
7	7601	8 ON 8 WHEEL 16.1 X 16 (OPTION)	2
8	7600	10-PLY TIRE 21.5L X 16.1 (OPTION)	2

GB 34, GB 34R, GB36, GB 36R " REVERSE" FAN W/ T.L. BUSHING



ITEM #	PART #	DESCRIPTION	QTY
1	5813	6-BLADE FAN, GB 34	1
	5813A	7-BLADE FAN, GB 34	1
	5813B	8-BLADE FAN, GB 34	1
	5817	7-BLADE FAN, GB 34R	1
	5814A	8-BLADE FAN, GB 36	1
2	5809	TAPER LOCK BUSHING (2517 X 1 1/2")	1
	5846	TAPER LOCK BUSHING (2517 X 1 1/2") GB-34R, GB-36R, REVERSE FAN	1
3	5810	SET BOLT	2

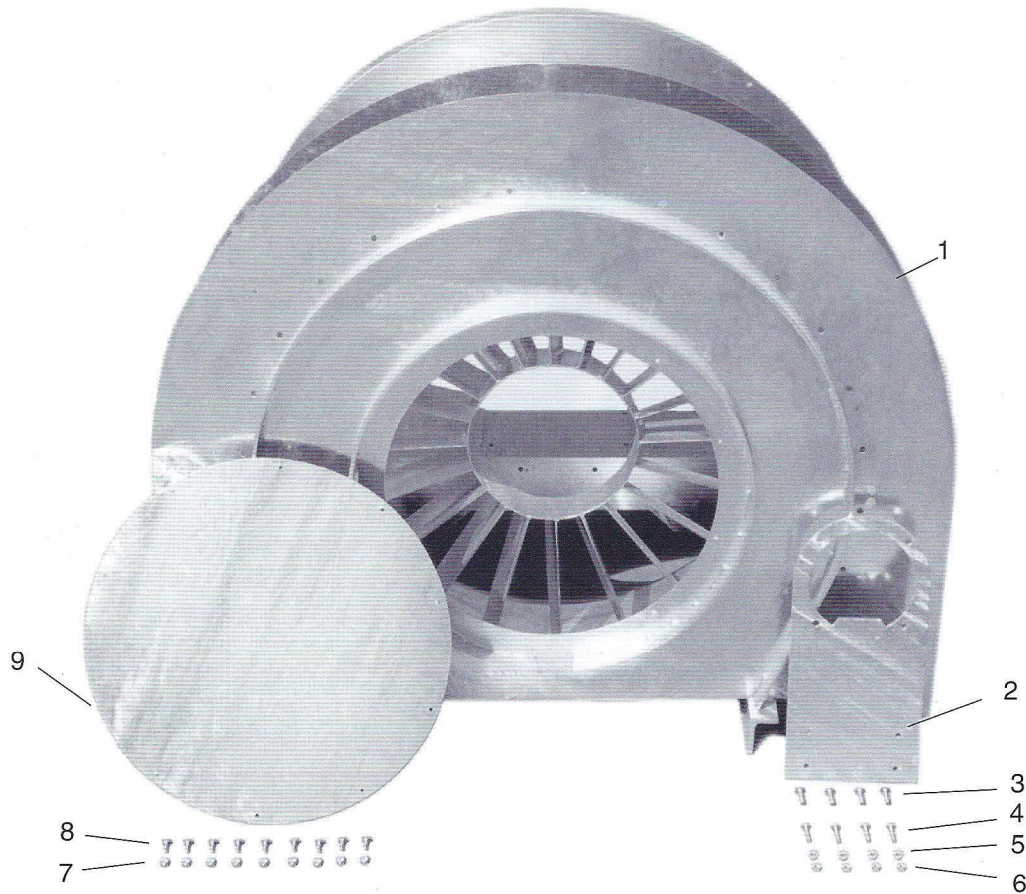
GB 2/32 FANS, SHAFT & BEARING



ITEM #	PART #	DESCRIPTION	QTY
1	5842	INNER FAN	1
2	5846	TAPER LOCK BUSHING, INNER FAN (2525 X 1 1/2")	1
3	5810	SET BOLTS	4
4	2258	3/8" X 1 1/2" PLATED CAP SCREW FOR FAN SHAFT	4
5	2251	3/8" PLATED LOCK WASHER	4
6	5859	1 3/4" X 20" FAN SHAFT	1
7	5849	TYPE EX 1 3/4" FLANGE BEARING	1

ITEM #	PART #	DESCRIPTION	QTY
8	2300	1/2" X 2" PLATED CAP SCREW	4
9	2294	1/2" PLATED FLANGE NUT	4
10	7734	BRASS FITTING, STRAIGHT (48F4-2)	2
11	5036	HOSE FITTING (30682-4-4B)	2
12	7735	1/8" ST. GREASE ZERK	1
13	5852	1/4" X 12" GREASE HOSE	1
14	5863	OUTER FAN	1
15	5860	TAPER LOCK BUSHING, OUTER FAN (2517 X 1 3/4")	1

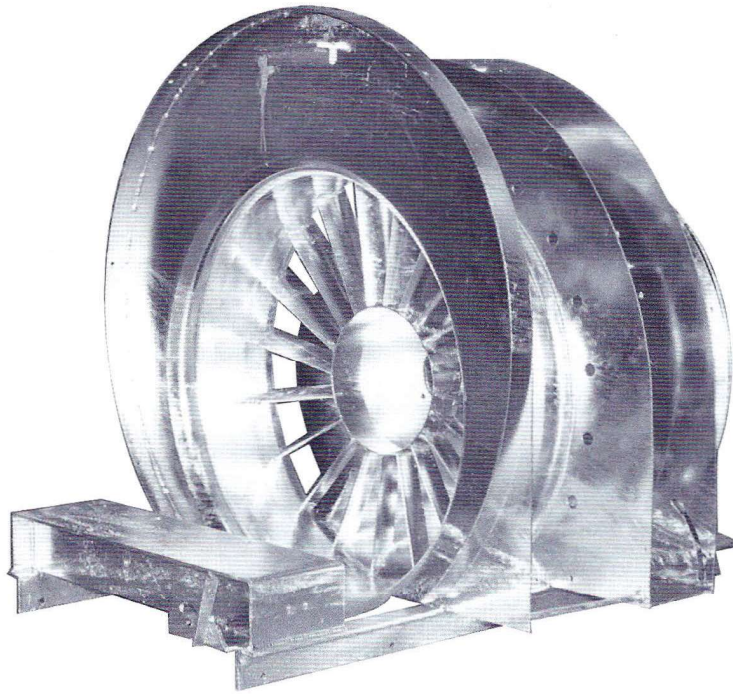
GB34R & GB36R FAN HOUSING



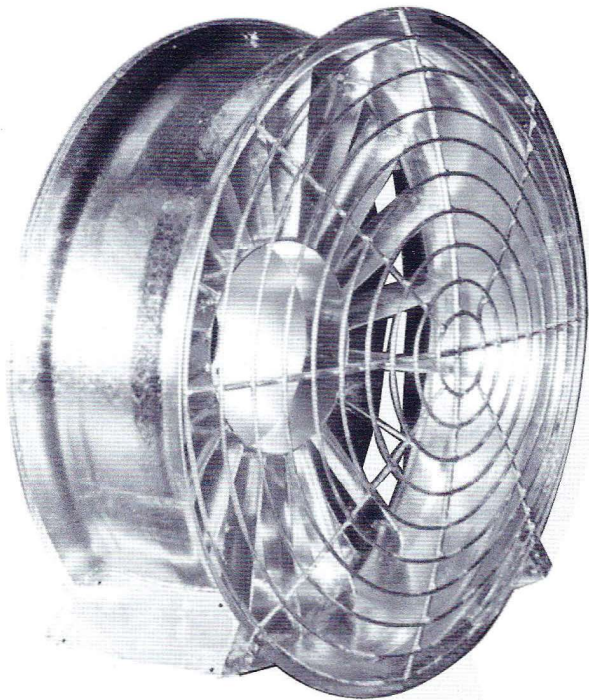
ITEM #	PART #	DESCRIPTION	QTY
1	5950	FAN HOUSING GB34 / GB36 REVERSE (SPECIFY MODEL)	1
2	5951	GEARBOX EXTENSION HOUSING SUPPORT PLATE GB34 / GB36 REVERSE (SPECIFY MODEL)	1
3	2377A	CAP SCREW METRIC PLATED 10mm X 1.25mm X 20mm	4
4	2257	3/8" X 1 1/4" PLATED CAP SCREW	4

ITEM #	PART #	DESCRIPTION	QTY
5	2251	3/8" PLATED LOCK WASHER	4
6	2253	3/8" PLATED NYLON LOCK NUT	4
7	2909	1/4" SS NYLON LOCK NUT	9
8	2900	1/4" X 3/8" SS CAP SCREW	9
9	5952	BACK PLATE GB34/36 REVERSE (SPECIFY MODEL)	1

GB 2/32 FAN HOUSING & GUARD

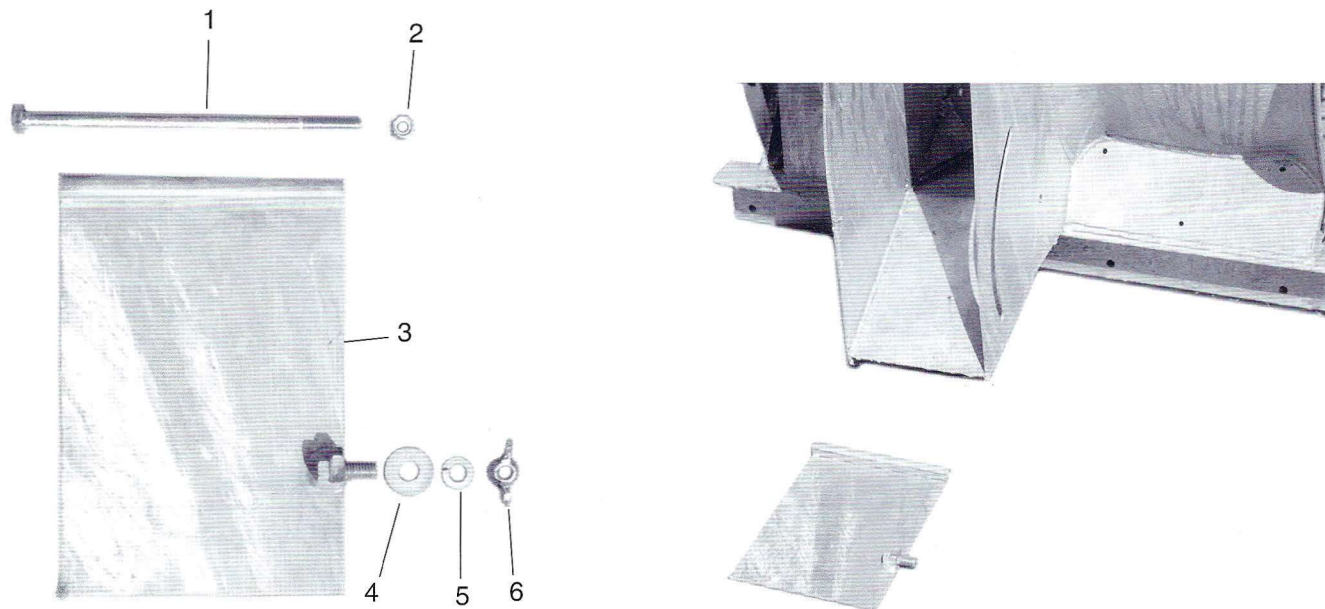


PART #	DESCRIPTION
5838	2/32 FANHOUSING



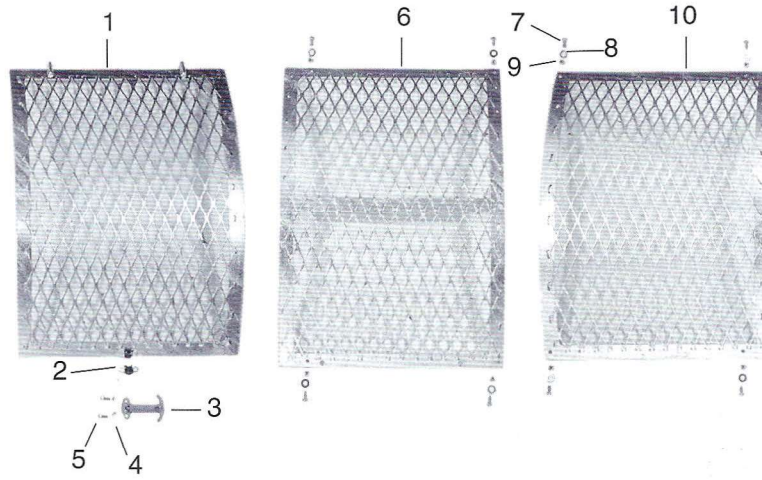
PART #	DESCRIPTION
5832	FAN GUARD

METAL VANE FOR HOUSING



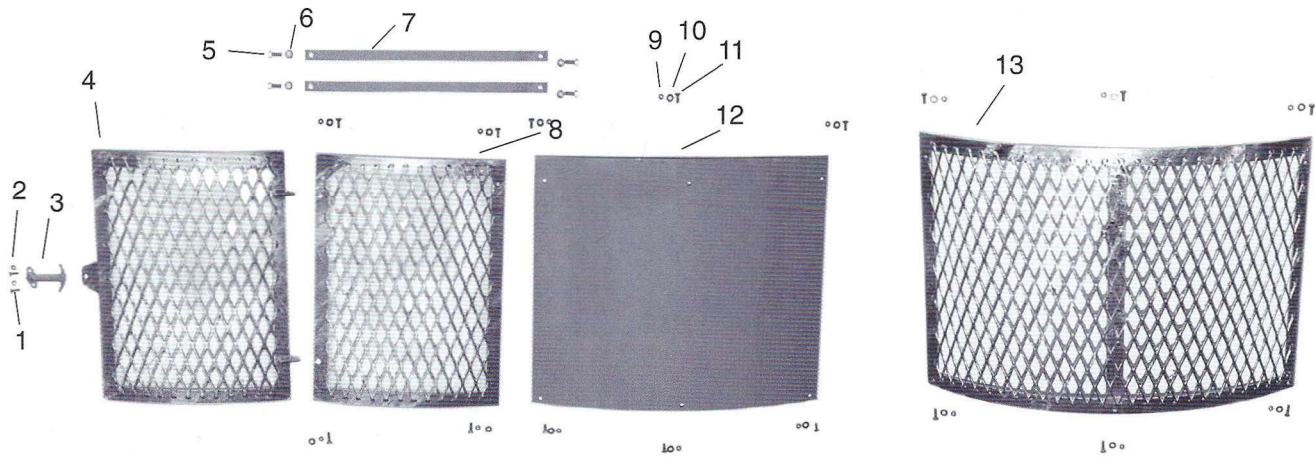
ITEM #	PART #	DESCRIPTION	QTY
1	2241	5/16" X 6" PLATED CAP SCREW	1
2	2223	5/16" PLATED NYLON LOCK NUT	1
3	5840	METAL VANE (SPECIFY MODEL)	1
4	2250	3/8" PLATED FLAT WASHER	1
5	2251	3/8" PLATED LOCK WASHER	1
6	2371	3/8" PLATED WING NUT	1

GB 34R & GB 36R FAN GUARDS



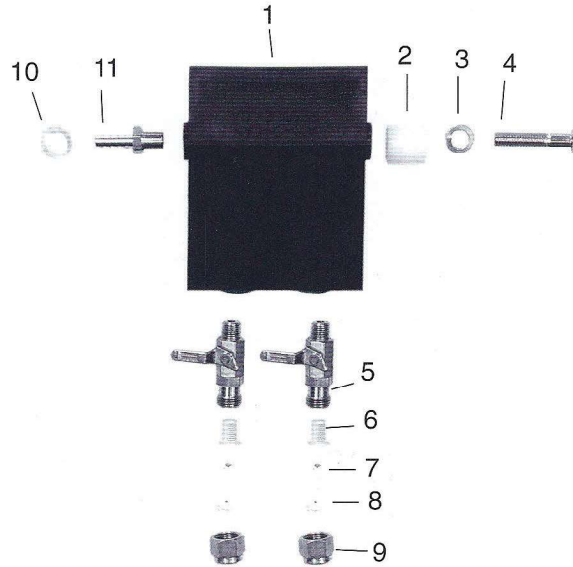
ITEM #	PART #	DESCRIPTION	QTY	ITEM #	PART #	DESCRIPTION	QTY
1	5823	FAN GUARD, LH	1	6	5824	TOP FAN GUARD	1
2	312	CATCH PLATE	1	7	2915	5/16" X 3/4" SS BOLT	8
3	311A	90° HOOD CLAMP	1	8	2921	5/16" SS WASHER, FLAT	8
4	2909	1/4" SS NUT, NYLOCK	2	9	2924	5/16" SS NUT, NYLOCK	8
5	2900	1/4" X 3/4" SS BOLT	2	10	5825	FAN GUARD, RH	1

GB 2/32 INNER FAN GUARDS



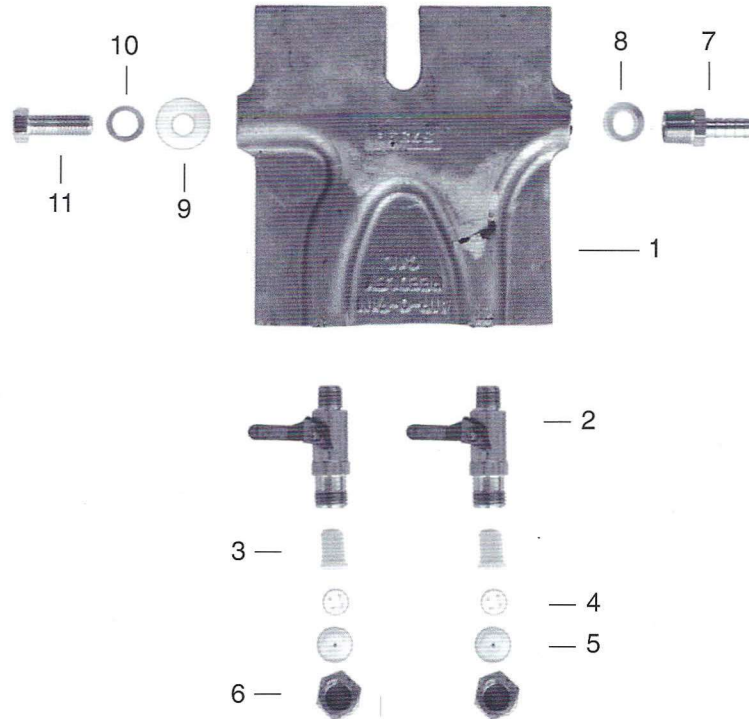
ITEM #	PART #	DESCRIPTION	QTY	ITEM #	PART #	DESCRIPTION	QTY
1	2900	1/4" X 3/4" STAINLESS STEEL CAP SCREW	2	8	5827	L.H. FIXED FAN GUARD	1
2	2909	1/4" STAINLESS STEEL NYLON LOCKNUT	2	9	2924	5/16" STAINLESS STEEL NYLON LOCKNUT	16
3	311A	90° HOOD CLAMP	1	10	2921	5/16" STAINLESS STEEL FLAT WASHER	16
4	5826	L.H. REMOVABLE FAN GUARD	1	11	2915	5/16" X 3/4" STAINLESS STEEL CAP SCREW	16
5	2207	1/4" X 1" PLATED CAP SCREWS	4	12	5828	TOP FIXED FAN GUARD COVER	1
6	2203	1/4" PLATED NYLON LOCKNUT	4	13	5829	R.H. FIXED FAN GUARD	1
7	5833	FAN HOUSING TO TANK BRACE	2				

GB-34, GB 34R, GB 36, GB 36R VANE ASSEMBLY



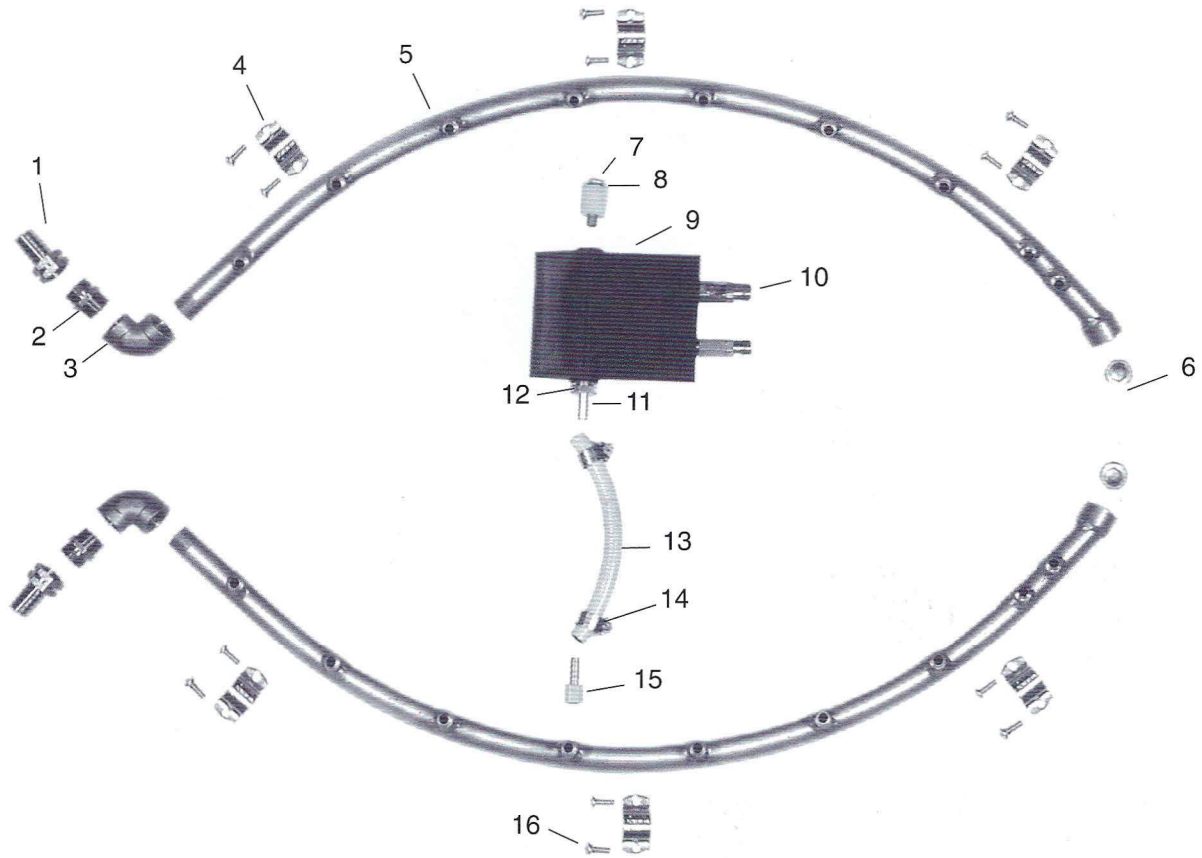
ITEM #	PART #	DESCRIPTION	QTY	ITEM #	PART #	DESCRIPTION	QTY
1	5759A	4 7/8" COMPOSITE VANE ON GB 2/32	18 16	7	7757-7760	CERAMIC CORE ON GB 2/32	36 32
2	5867	UHMW VANE SPACER ON GB 2/32	18 16	8	7763-7770	CERAMIC ORIFICE ON GB 2/32	36 32
3	2271	7/16" PLATED LOCK WASHER ON GB 2/32	18 16	9	7771	BRASS NOZZLE CAP (CP20230) ON GB 2/32	36 32
4	2279	7/16" X 2 1/4" PLATED CAP SCREW ON GB 2/32 7/16" X 1 1/2"	18 16	10	5763	VANE HOSE BARB COVER ON GB 2/32	18 16
5	5768	SPECIALTY BALL VALVE ON GB 2/32	36 32	11	5762	VANE HOSE BARB, 3/8" ON GB 2/32	18 16
6	5769	NOZZLE SCREEN (4514NY) ON GB 2/32	36 32				

GB-2/32 VANE ASSEMBLY



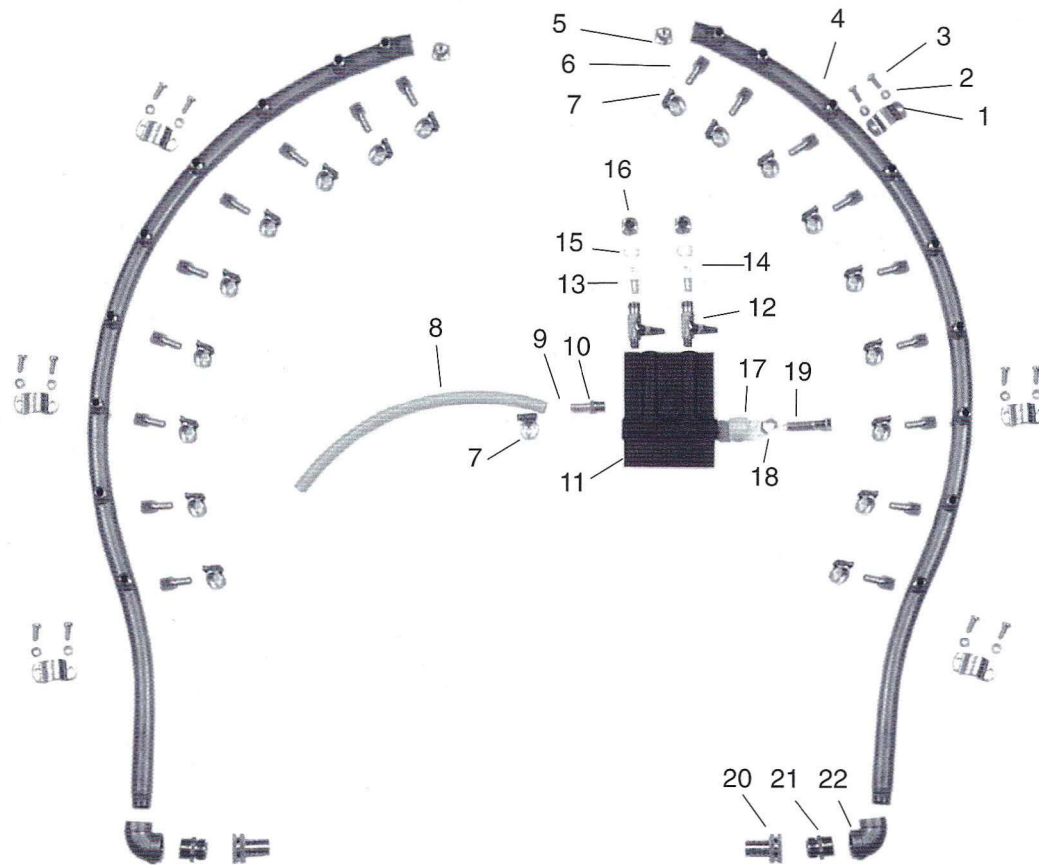
ITEM #	PART #	DESCRIPTION	QTY	ITEM #	PART #	DESCRIPTION	QTY
1	5759B	GB 2/32 ALUMINUM VANE	16	7	5762	HOSE BARB 3/8" MPT X 3/8" HOSE	32
2	5758	VALVE	32	8	5763	HOSE BARB COVER	32
3	5769	NYLON 30 MESH SCREEN	32	9	5869	VANE SPACER	32
4	7757-7760	CERAMIC CORE NOZZLE	32	10	2271	LOCKER WASHER 7/16	32
5	7763-7770	CERAMIC DISC NOZZLE	32	11	2278	BOLT 7/16" X 1 1/4"	32
6	7771	NOZZLE CAP	32				

GB34 & GB36 MANIFOLD & VANE



ITEM #	PART #	DESCRIPTION	QTY	ITEM #	PART #	DESCRIPTION	QTY
1	5057	3/4" GARDEN HOSE SWIVEL (BCF76)	2	9	5759C	4 7/8" COMPOSITE VANE	18
2	5056	3/4" GARDEN HOSE ADAPTER (BA776)	2	10	5768	1/4" BRASS SPECIALTY VALVE	36
3	2813	3/4" 90° SS ELBOW	2	11	5762	3/8" VANE HOSE BARB	18
4	5776	MANIFOLD CLAMP (7416IZP)	6	12	5763	VANE HOSE BARB COVER	18
5	5801	SS MANIFOLD SPECIFY MODEL	2	13	5764	3/8" X 10" VANE HOSE	18
6	7752	3/4" BRASS PLUG	2	14	2452	HOSE CLAMP #6	36
7	2278	7/16" X 1 1/4" VANE BOLT FOR GB34	18	15	6299	MANIFOLD HOSE BARB 3/8" HB X 1/4" FPT	18
	2281	7/16" X 2" VANE BOLT FOR GB36	18	16	2206A	1/4" X 3/4" PLATED PHILLIPS MACHINE SCREW	12
8	5869	VANE SPACER (NOT USED ON GB34)	18		2201	1/4" PLATED LOCK WASHERS (NOT PICTURED)	12

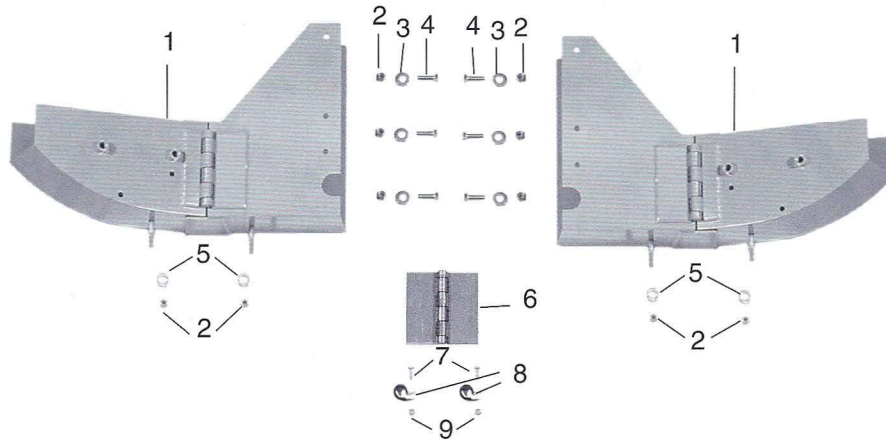
GB34R & GB36R MANIFOLD & VANE



ITEM #	PART #	DESCRIPTION	QTY
1	5776	MANIFOLD CLAMP (7416IZP)	6
2	2201	1/4" PLATED LOCK WASHER	12
3	2206A	1/4" X 3/4" PLATED PHILLIPS MACHINE SCREW	12
4	5835	SS MANIFOLD SET FOR REVERSE (SPECIFY MODEL)	1
5	7752	3/4" BRASS FLUSH PLUG	2
6	6299	BRASS HOSE BARB 3/8" HB X 1/4" FPT	18
7	2452	HOSE CLAMP #6	36
8	5764	3/8" X 10" VANE HOSE	18
9	5763	HOSE BARB COVER	18
10	5762	3/8" VANE HOSE BARB	18
11	5759C	4 7/8" COMPOSITE VANE	18
12	5768	1/4" BRASS SPECIALTY VALVE	36

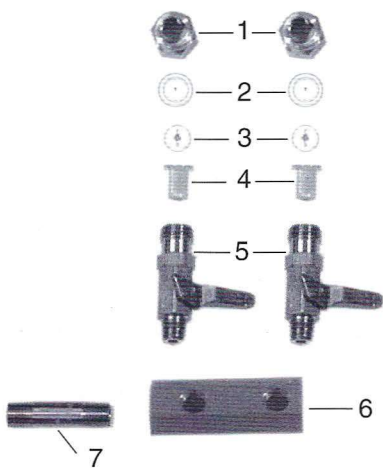
ITEM #	PART #	DESCRIPTION	QTY
13	5769	4514NY NOZZLE SCREEN	36
14	7757-7761	CERAMIC CORE	36
15	7762-7770	CERAMIC ORIFICE	36
16	7771	CP20230 BRASS NOZZLE CAP	36
17	5869	UHMW VANE SPACER	18
18	2271	7/16" PLATED LOCK WASHER	18
19	2278	7/16" X 1 1/4" VANE BOLT FOR 34R	18
	2281	7/16" X 2" VANE BOLT FOR 36R	18
20	5057	3/4" GARDEN HOSE SWIVEL (BCF76)	2
21	5056	3/4" GARDEN HOSE ADAPTER (BA776)	2
22	2824	3/4" 90° STAINLESS STEEL ELBOW	2

STANDARD UPSPRAY



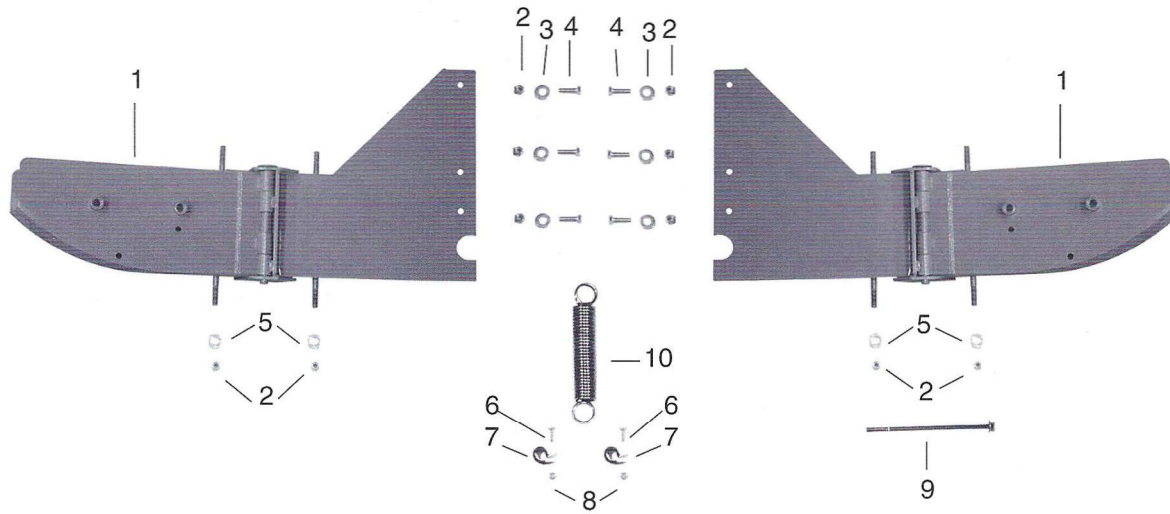
ITEM #	PART #	DESCRIPTION	QTY	ITEM #	PART #	DESCRIPTION	QTY
1	6401	LH UPSPRAY SHELL ONLY	1	5	2250	3/8" FLAT WASHER PLATED	8
	6402	RH UPSPRAY SHELL ONLY (SPECIFY MODEL AND VINEYARD ROW WIDTH)	1	6	6403	5" X 5" HINGE	2
2	2253	3/8" NYLON LOCKNUT PLATED	20	7	2206	1/4" X 3/4" PLATED CAP SCREW	2
3	2251	3/8" LOCK WASHER PLATED	12	8	2485	3/4" RUBBER INS. CLAMP	2
4	2256	3/8" X 1" PLATED CAP SCREW	12	9	2203	1/4" PLATED NYLON LOCKNUT	2
				6400		COMPLETE SET OF UPSPRAYS WITH PLUMBING	1

N.S. UPSPRAY MANIFOLD



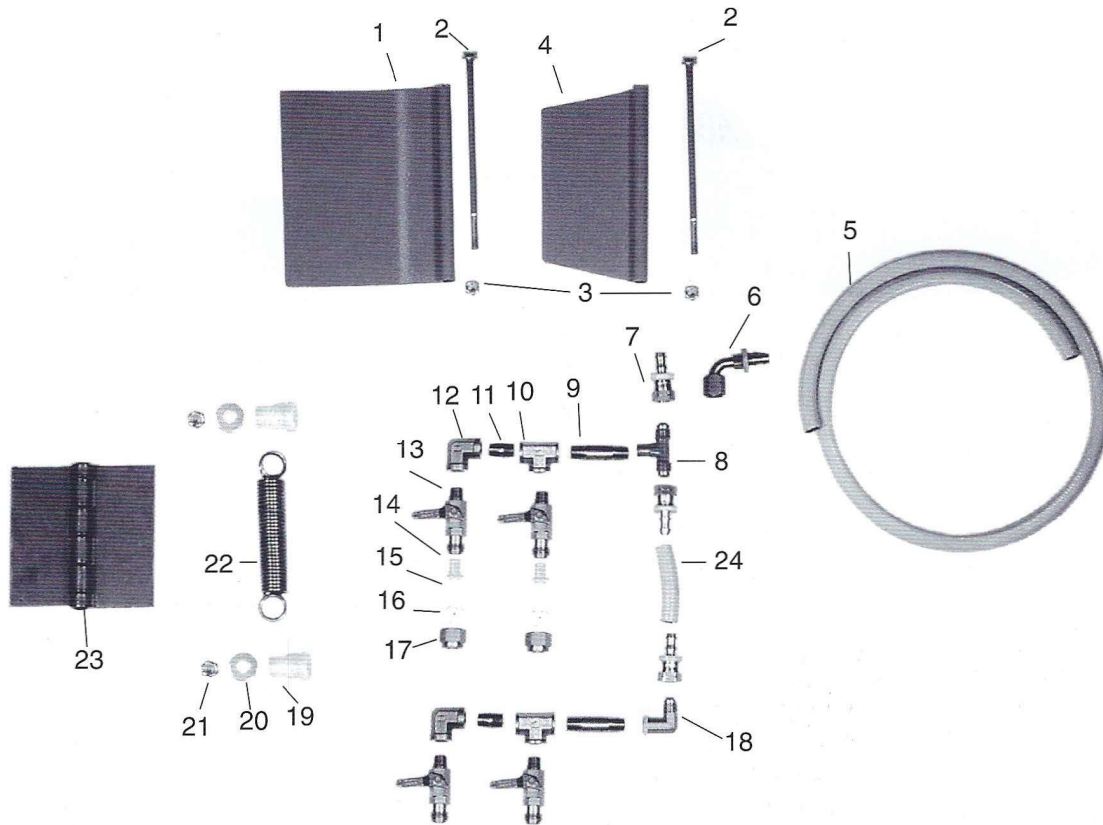
ITEM #	PART #	DESCRIPTION	QTY
1	7771	BRASS NOZZLE CAP (CP20230)	8
2	7762-7770	CERAMIC ORIFICE	8
3	7757-7761	CERAMIC CORE	8
4	1703	NOZZLE SCREEN (4514NY)	8
5	5768	SPECIALTY BALL VALVE	8
6	6406	ALUMINUM UPSPRAY MANIFOLD	4
7	2788	1/4" X 2" STAINLESS STEEL PIPE NIPPLE	4

STANDARD UPSPRAY (double swing)



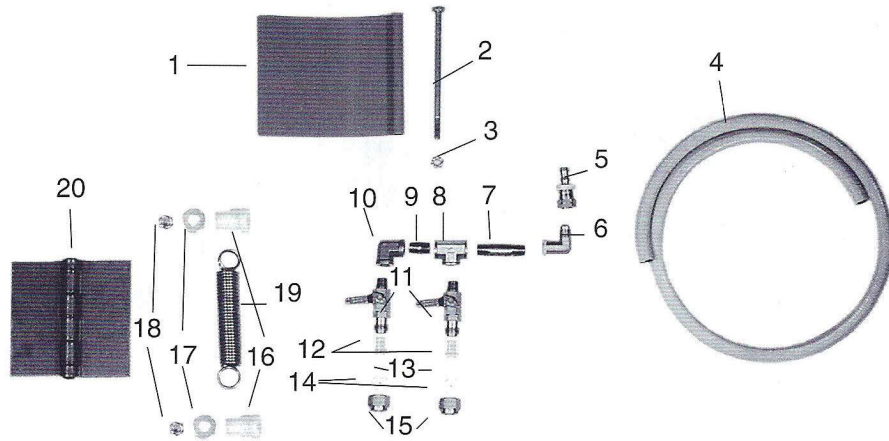
ITEM #	PART #	DESCRIPTION	QTY	ITEM #	PART #	DESCRIPTION	QTY
1	6401	LH UPSPRAY SHELL ONLY	1	6	2206	1/4" X 3/4" PLATED CAP SCREW	2
	6402	RH UPSPRAY SHELL ONLY (SPECIFY MODEL AND VINEYARD ROW WIDTH)	1		7	2485	3/4" RUBBER INS. CLAMP
2	2253	3/8" NYLON LOCKNUT PLATED	20	8		2203	1/4" PLATED NYLON LOCKNUT
3	2251	3/8" LOCK WASHER PLATED	12		9	6403A	1/2" x 7 1/4" HINGE PINS
4	2256	3/8" X 1" PLATED CAP SCREW	12	10		6405	UPSPRAY VOLUTE SPRING
5	2250	3/8" FLAT WASHER PLATED	8			6400A	COMPLETE SET OF UPSPRAYS WITH PLUMBING

STANDARD UPSPRAY



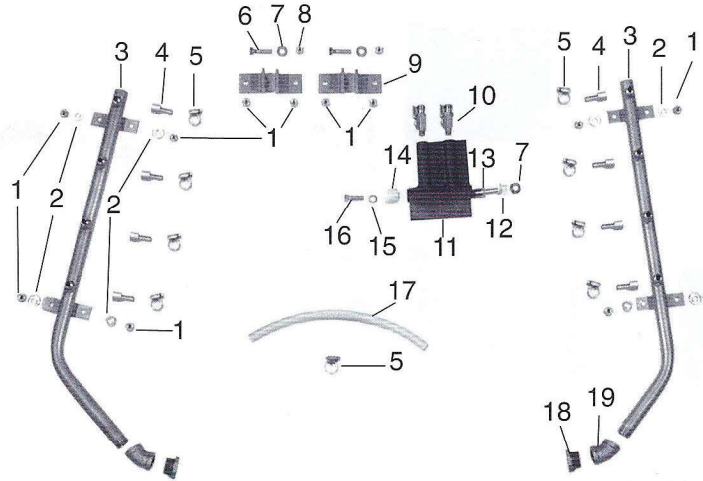
ITEM #	PART #	DESCRIPTION	QTY	ITEM #	PART #	DESCRIPTION	QTY
1	6407	LARGE UPSPRAY DIRECTIONAL VANE (SPECIFY MODEL)	2	11	6304	1/4" BRASS PIPE NIPPLE (215PN4)	4
2	2242	5/16" X 7" PLATED CAP SCREW (GB 36)	4	12	6305	1/4" 90° BRASS ELBOW (1200P4-4)	4
	2241A	5/16" X 6 1/2" PLATED CAP SCREW (GB 34)	4	13	5768	SPECIALTY BALL VALVE	8
3	2223	5/16" PLATED NYLON LOCK NUT	4	14	5769	NOZZLE SCREEN (4514NY)	8
4	6408	SMALL UPSPRAY DIRECTIONAL VANE (SPECIFY MODEL)	2	15	7757-7760	CERAMIC CORE	8
5	6410	3/8" X 43" HOSE	2	16	7763-7770	CERAMIC ORIFICE	8
6	6301	3/8" 90° SWIVEL HOSE FITTING (37982-6-6B)	2	17	7771	BRASS NOZZLE CAP (CP20230)	8
7	7438	3/8" HOSE FITTING (30882-6-6B)	6	18	6306	90° BRASS FITTING (150F-6-4)	2
8	6302	BRASS TEE FITTING (145F-6-4)	2	19	6404	VOLUTE SPRING BUSHING (UHMW)	4
9	2788	1/4" X 2" STAINLESS STEEL PIPE NIPPLE	2	20	2250	3/8" PLATED FLAT WASHER	8
10	6303	1/4" BRASS TEE (1203P-4-4)	4	21	2253	3/8" PLATED NYLON LOCKNUT	8
				22	6405	UPSPRAY VOLUTE SPRING	4
				23	6403	UPSPRAY VOLUTE HINGE	2
				24	6411	3/8" X 6" HOSE	4

GB34N UPSPRAY



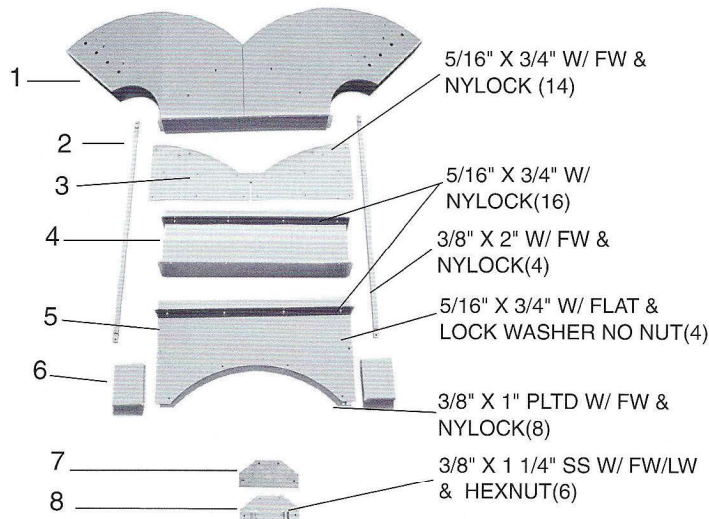
ITEM #	PART #	DESCRIPTION	QTY	ITEM #	PART #	DESCRIPTION	QTY
1	6409	UPSPRAY DIRECTIONAL VANE GB34N	2	11	5768	BRASS SPECIALTY BALL VALVE	4
2	2241A	5/16" X 6 1/2" CAP SCREW (GB 34)	2	12	5769	NOZZLE SCREEN (4514NY)	4
3	2223	5/16" PLATED NYLON LOCK NUT	2	13	7757-7760	CERAMIC CORE	4
4	6410	3/8" X 43" HOSE	2	14	7763-7770	CERAMIC ORIFICE	4
5	7438	HOSE FITTING (30882-6-6B)	2	15	7771	BRASS NOZZLE CAP (CP20230)	4
6	6306	90° BRASS FITTING (150F-6-4)	2	16	6404	UPSPRAY VOLUTE SPRING BUSHING	4
7	2788	1/4" X 2" SS PIPE NIPPLE	2	17	2250	3/8" PLATED FLAT WASHER	4
8	6303	1/4" BRASS TEE (1203P-4-4)	2	18	2253	3/8" PLATED NYLON LOCKNUT	4
9	6304	1/4" BRASS PIPE NIPPLE (215PN4)2	2	19	6405	UPSPRAY VOLUTE SPRING	2
10	7686	1/4" BRASS ELBOW (1200P4-4)	2	20	6403	UPSPRAY VOLUTE HINGE	2

GB SHORTSTACK TOWER PLUMBING



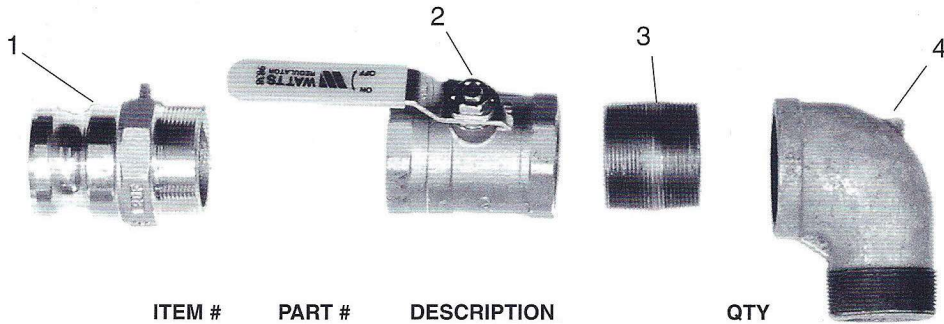
ITEM #	PART #	DESCRIPTION	QTY	ITEM #	PART #	DESCRIPTION	QTY
1	2203	1/4" PLATED NYLOCK NUT	12	12	5763	HOSE BARB COVER	8
2	2200	1/4" PLATED FLAT WASHER	8	13	5762	HOSE BARB, BN33	8
3	6433	SS TOWER MANIFOLD SET	1	14	5869	VANE SPACER	8
4	6299	HOSE BARB 3/8" HB X 1/4" FPT	8	15	2271	7/16" PLATED LOCK WASHER	8
5	2452	HOSE CLAMP #6	16	16	2278	7/16" X 1 1/4" PLATED CAP SCREW FOR 34R VANE	8
6	2260	3/8" X 2" PLATED CAP SCREW	2	16	2281	7/16" X 2" PLATED CAP SCREW FOR 36R VANE	8
7	2250	3/8" PLATED FLAT WASHER	10	17	5764	3/8" X 10' VANE HOSE	8
8	2253	3/8" PLATED NYLOCK NUT	2	18	2583	3/4" X 1/2" HEX BUSHING	2
9	6434	TOWER MANIFOLD MOUNTING BRACKET	4	19	2827	3/4" 45° SS ELBOW	2
10	5768	SPECIALTY VALVE	16				
11	5759D	SHORTSTACK COMPOSITE VANE 8					

GB SHORTSTACK HOUSING



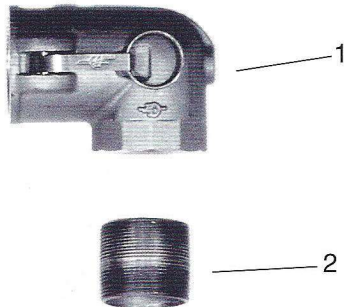
ITEM #	PART #	DESCRIPTION	QTY
1	6425	SHORT STACK TOWER TOP SECTION (SPECIFY MODEL)	1
2	6426	TOWER TOP POLES	2
3	6427	BUTTERFLY BACKING PLATE	1
4	6428	SHORTSTACK TOWER MIDDLE SECTION (SPECIFY MODEL)	1
5	6429	SHORTSTACK TOWER BOTTOM SECTION (SPECIFY MODEL)	1
6	6430	SHORTSTACK TOWER BOTTOM DOOR (SPECIFY MODEL)	2
7	6431	TOWER SADDLE GASKET	1
8	6432	TOWER SADDLE	1

2" FRONT FILL (OPTION) (LH FRONT OF TANK)



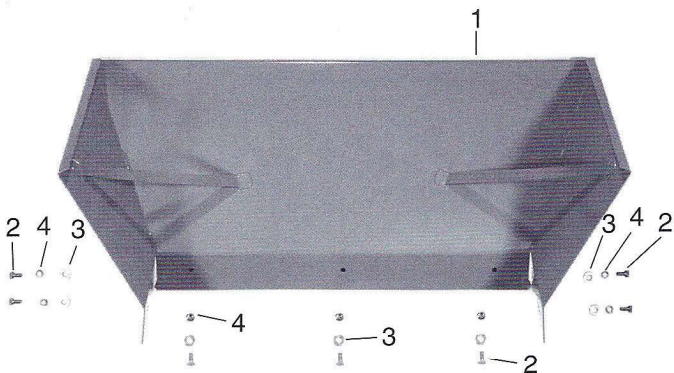
ITEM #	PART #	DESCRIPTION	QTY
1	1631	2" MALE CAM LOCK (20F ALUM)	1
2	7137	2" BRASS BALL VALVE	1
3	2682	2" X CLOSE GALV. PIPE NIPPLE	1
4	2679	2" 90° GALV. ST. EL.	1

2" FILL 90° CHECK VALVE (OPTION) (TOP OF TANK)



ITEM #	PART #	DESCRIPTION	QTY
1	1632	2" CHECK VALVE CAM LOCK (20G ALUM)	1
2	2682	2" X CLOSE GALV. PIPE NIPPLE	1

GB LEAF GUARD (OPTION)



ITEM #	PART #	DESCRIPTION	QTY
1	6450	LEAF GUARD (SPECIFY MODEL)	1
2	2255	3/8" X 3/4" PLATED CAP SCREW	7
3	2251	3/8" PLATED LOCK WASHERS	7
4	2253	3/8" PLATED NYLOCK NUTS	7

DECALS

ITEM #	PART #	DESCRIPTION	QTY	ITEM #	PART #	DESCRIPTION	QTY
1	6030	DECAL, AIR-O-FAN	2	11	6050	DECAL, WARNING-KEEP FILTER CLEAN	1
2	6039	DECAL, DILUTE & CONCENTRATE	2	12	6036	DECAL, DANGER-ROTATING DRIVE LINE	1
3	6061	DECAL, TANK CALIBRATION	1	13	6054	DECAL, DANGER -TOXIC CHEMICAL HAZARD	1
4	6037	DECAL, DANGER-ROTATING FAN HAZARD	2	14	6044	DECAL, GB36	2
5	6048	DECAL, OPERATING INSTRUCTIONS	1	15	6043	DECAL, GB34	2
6	6033	DECAL, 500 GAL. SS	2	16	6045	DECAL, GB2-32	2
7	6035	DECAL, 600 GAL. SS	2	17	6044A	DECAL, GB36R	2
8	6062	DECAL, CAUTION INSTRUCTIONS	1	18	6043A	DECAL, GB34R	2
9	6038	DECAL, GREASE HERE	6				
10	6049	DECAL, REMOVE CONTROLS	1				



Item # 1

DILUTE & CONCENTRATE

Item # 2



Item # 4



Item # 5

500 GAL-STAINLESS

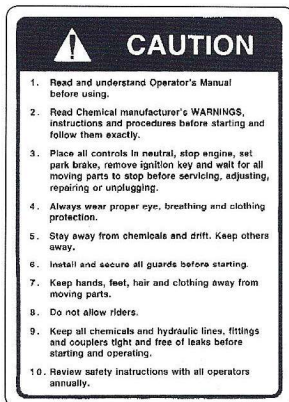
Item # 6

600 GAL-STAINLESS

Item # 7

450
400
350
300
250
200
150
100

DECALS (Continued)



Item # 8

GREASE HERE

Item # 9

**REMOVE CONTROLS
FROM TRACTOR
BEFORE UNHITCHING**

Item # 10

WARNING

**Filter Must Be Kept
Clean To Prevent
Damage To Pumps**

Item # 11



Item # 12



Item # 13

GB 36

Item # 14

GB 34

Item # 15

GB 2-32

Item # 16

GB-36R

Item # 17

GB-34R

Item # 18

NOTES

